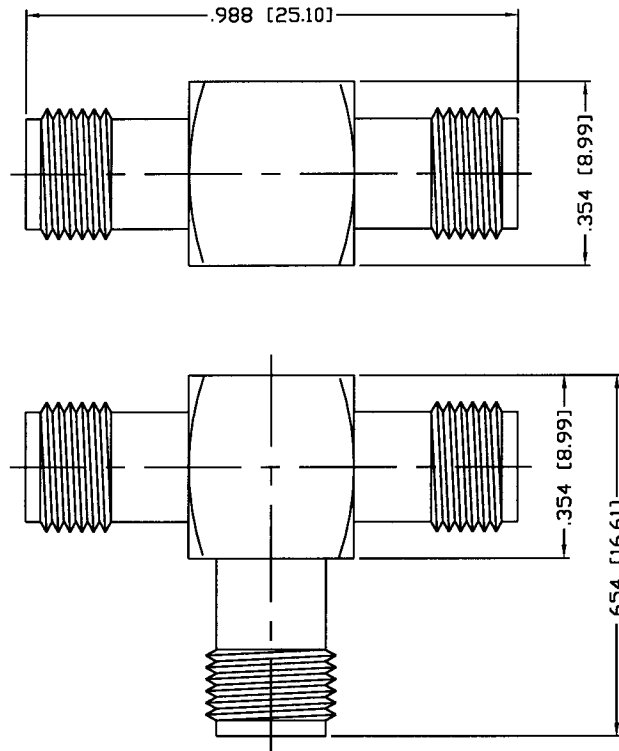


THIS DRAWING CONTAINS INFORMATION PROPRIETARY TO RF INDUSTRIES.
 ANY UNAUTHORIZED USE OF THIS DRAWING IS EXPRESSLY PROHIBITED
 WITHOUT WRITTEN PERMISSION FROM RF INDUSTRIES.
 ANY VIOLATION IS PUNISHABLE UNDER U.S. COPYRIGHT LAWS.

ALL DIMENSIONS ARE REFERENCE ONLY

PART NO.		RSA-3401		
REV	DESCRIPTION	DWN	DATE	APPROVED
-	ENGINEERING RELEASE	CZS	11/22/99	JDMc



SPECIFICATIONS:

IMPEDANCE: 50 Ohms
 WORKING VOLTAGE: 335 V rms Max. @ Sea Level
 INSULATION RESISTANCE: 5k MOhms min.
 TEMPERATURE RANGE: -55°C TO 85°C

1	BODY	1	BRASS	NICKEL, 100μ"
2	PRESS BODY	1	PTFE	NICKEL, 100μ"
3	CONTACT	1	Be.Cu.	GOLD, 3μ"
4	CONTACT	1	Be. Cu.	GOLD, 3μ"
5	INSULATOR	1	PTFE	---
6				
7				
8				
9				
10				
11				
12				
13				
14				
#	DESCRIPTION	QTY	MATERIAL	FINISH

000360

UNLESS OTHERWISE SPECIFIED:

1. REMOVE ALL BURRS
2. BREAK ALL CORNERS & EDGES .005 R. MAX.
3. CHAMFER 1ST & LAST THREADS 45°
4. SURFACE ROUGHNESS 63 FINISH MIL-STD-10
5. DIAMETERS ON COMMON CENTERS TO BE CONCENTRIC WITHIN .002 T.I.R.
6. ALL DIMENSIONS ARE AFTER PLATING.

DIMENSIONS ARE IN INCHES AND [MILLIMETERS]

UNLESS OTHERWISE NOTED TOLERANCES ARE:

DECIMALS	DIAMETER
.xxx±.003 [.08]	.xxx±.001 [.03]
.xx±.005 [.13]	.xx±.003 [.08]

DRAWN	10/01/02
C. ZUNIGA	
CHECKED	10-1-02
ORJ	
DRAWN	10/01/02
C. ZUNIGA	
APPROVALS	DATE



7610 MIRAMAR RD
 SAN DIEGO, CA 92126
 (858) 549-6340
 (858) 549-6345 FAX

SMA TRIPLE JACK

T ADAPTER

SIZE	CABLE GROUP	DWG NO.	REV
A	N/A	RSA-3401	-
SCALE: NTS		CAD FILE OUTLINE	SHEET 1 OF 1