

ENVELOPE / ASSEMBLY DRAWING

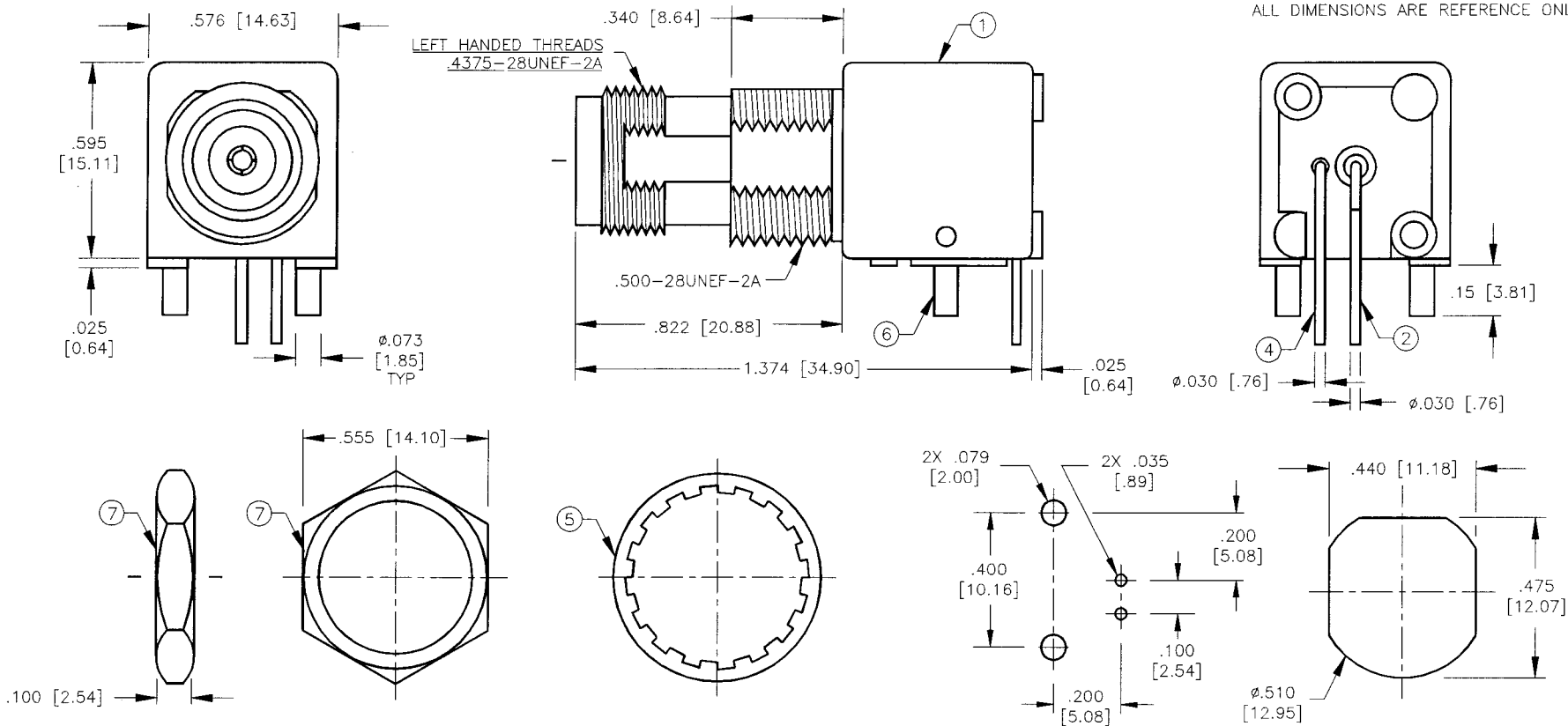
000360

SPECIFICATION CONTROL DRAWING

REV	DESCRIPTION	DWN	DATE	APPROVED
A	ENGINEERING RELEASE	CZS	8/4/99	R. RICE

THIS DRAWING CONTAINS INFORMATION PROPRIETARY TO RF INDUSTRIES, LTD. ANY UNAUTHORIZED USE OF THIS DRAWING IS EXPRESSLY PROHIBITED. ANY VIOLATION IS PUNISHABLE UNDER U.S. COPYRIGHT LAWS.

ALL DIMENSIONS ARE REFERENCE ONLY



SPECIFICATIONS:

IMPEDANCE: 50 OHMS
 INTERFACE PER MIL-STD-348A, SECTION 313.2
 * CONTACT GOLD PLATING AT BNC END - TIN/ LEAD PLATING AT CIRCUIT BOARD END

DIMENSIONS ARE IN INCHES AND [MILLIMETERS]

UNLESS OTHERWISE NOTED TOLERANCES ARE:
 DECIMALS DIAMETER

RF connectors

DIVISION OF RF INDUSTRIES, LTD.

7610 MIRAMAR RD
 SAN DIEGO, CA 92126
 (858) 549-6340
 (858) 549-6345 FAX

RT-1208

TNC FEMALE R/A PCB MOUNT,
 LEFT HANDED THREADS, DIE CAST BODY

ITEM	DESCRIPTION	QTY	MATERIAL	FINISH
7	HEX NUT	1	BRASS	NICKEL
6	MOUNTING POST	2	BRASS	TIN
5	LOCK WASHER	1	PHOS BRONZE	NICKEL
4	GROUNDING TERMINAL	1	COPPER	TIN
3	DIELECTRIC	1	POLYPROPYLENE	NONE
2	CONTACT	1	BRASS	*
1	BODY	1	DIECAST ZINC	NICKEL

DRAWN C. ZUNIGA	8/4/99
CHECKED <i>[Signature]</i>	8/5/99
OR DRAWN C. ZUNIGA	8/4/99

SIZE	CABLE GROUP	DWG NO.	REV
A	N/A	9216	A
SCALE: 2:1		CAD FILE 13ARC B	SHEET 1 OF 1