

ENVELOPE / ASSEMBLY DRAWING

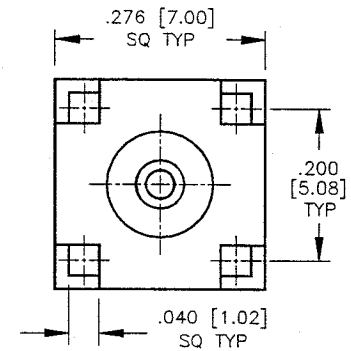
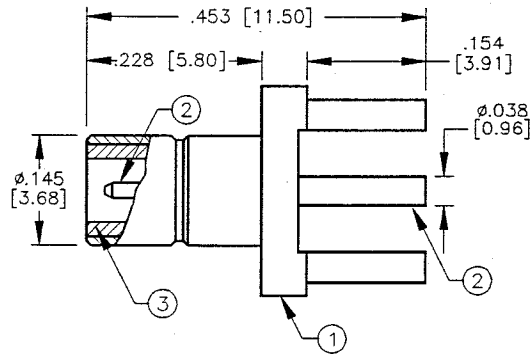
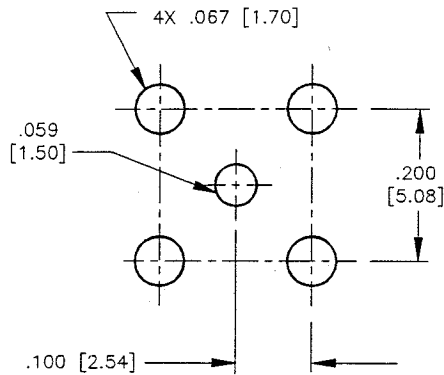
008974

SPECIFICATION CONTROL DRAWING

THIS DRAWING CONTAINS INFORMATION PROPRIETARY TO RF INDUSTRIES, LTD. ANY UNAUTHORIZED USE OF THIS DRAWING IS EXPRESSLY PROHIBITED. ANY VIOLATION IS PUNISHABLE UNDER U.S. COPYRIGHT LAWS.

REV	DESCRIPTION	DWN	DATE	APPROVED
A	ENGINEERING RELEASE	KMM	4/19/95	R. RICE
B	CHANGE MOUNTING CONFIGURATION	CZS	3/13/98	R. RICE

ALL DIMENSIONS ARE REFERENCE ONLY



SPECIFICATIONS:

IMPEDANCE: 50 OHMS

ITEM	DESCRIPTION	QTY	MATERIAL	FINISH
3	DIELECTRIC	1	*TEFLON	NONE
2	CONTACT	1	BRASS	GOLD
1	BODY	1	BRASS	GOLD

DIMENSIONS ARE IN INCHES AND [MILLIMETERS]
UNLESS OTHERWISE NOTED TOLERANCES ARE:
DECIMALS DIAMETER

DRAWN C. ZUNIGA	3/13/98
CHECKED <i>[Signature]</i>	3/18/98
OR DRAWN K. MAXWELL	4/19/95
APPROVALS	DATE

RF connectors
DIVISION OF RF INDUSTRIES, LTD.

7610 MIRAMAR RD
SAN DIEGO, CA 92126
(619)549-6340
(619)549-6345 FAX

RSB-4350-1

SMB VERTICAL PCB MOUNT JACK

SIZE A	CABLE GROUP N/A	DWG NO. 8495	REV B
SCALE: 4:1		CAD FILE 13ARC B	SHEET 1 OF 1