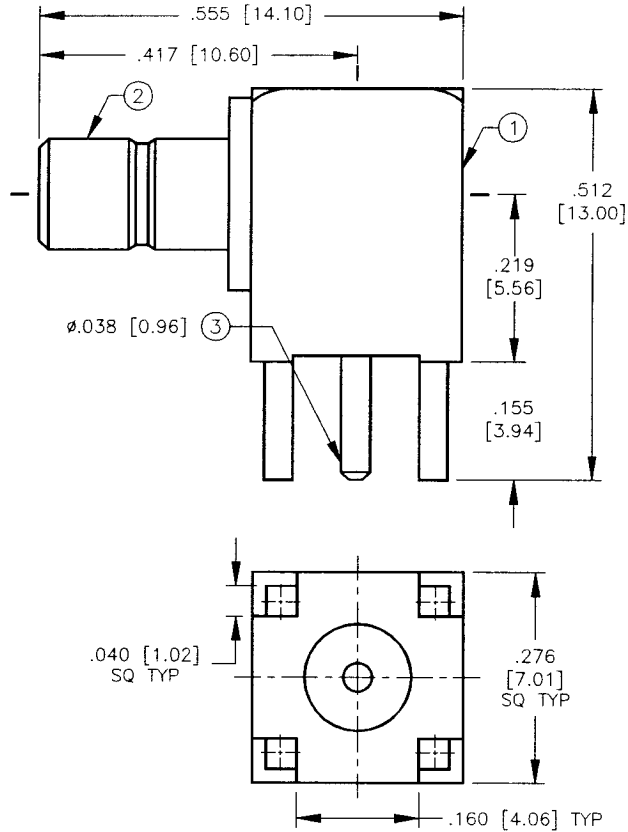


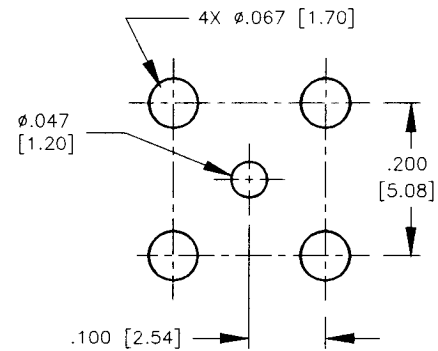
ENVELOPE / ASSEMBLY DRAWING

008974

SPECIFICATION CONTROL DRAWING		REV	DESCRIPTION	DWN	DATE	APPROVED
		A	ENGINEERING RELEASE	KMM	11/1/95	R. RICE
THIS DRAWING CONTAINS INFORMATION PROPRIETARY TO RF INDUSTRIES, LTD. ANY UNAUTHORIZED USE OF THIS DRAWING IS EXPRESSLY PROHIBITED. ANY VIOLATION IS PUNISHABLE UNDER U.S. COPYRIGHT LAWS.		B	ENGINEERING RELEASE	CZS	11/21/97	R. RICE



ALL DIMENSIONS ARE REFERENCE ONLY



SPECIFICATIONS:

IMPEDANCE: 50 OHMS

ITEM	DESCRIPTION	QTY	MATERIAL	FINISH
5	DIELECTRIC	1	TEFLON	NONE
4	DIELECTRIC	1	TEFLON	NONE
3	PIN	1	BRASS	GOLD
2	PRESS FIT BODY	1	BRASS	NICKEL
1	BODY	1	BRASS	NICKEL

DIMENSIONS ARE IN INCHES AND [MILLIMETERS]

UNLESS OTHERWISE NOTED TOLERANCES ARE:

DECIMALS DIAMETER

DRAWN	C. ZUNIGA	11/21/97
CHECKED	<i>[Signature]</i>	12/2/97
ORJ. DRAWN	K. MAXWELL	11/1/95

RFconnectors
DIVISION OF RF INDUSTRIES, LTD.

7610 MIRAMAR RD
SAN DIEGO, CA 92126
(619)549-6340
(619)549-6345 FAX

RSB-4300

SMB R/A PCB MOUNT JACK

SIZE	CABLE GROUP	DWG NO.	REV
A	N/A	8573	B
SCALE: 4:1		CAD FILE 13ARC B	SHEET 1 OF 1