

ENVELOPE / ASSEMBLY DRAWING

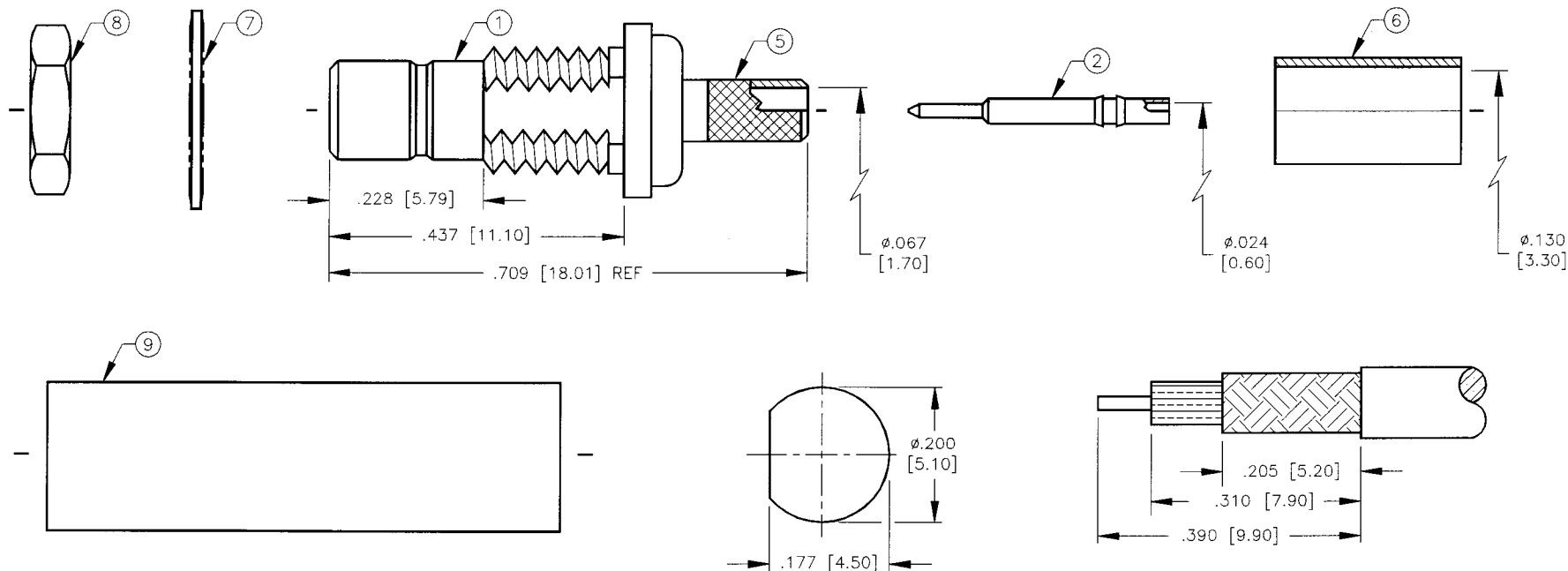
008974

SPECIFICATION CONTROL DRAWING

THIS DRAWING CONTAINS INFORMATION PROPRIETARY TO RF INDUSTRIES, LTD. ANY UNAUTHORIZED USE OF THIS DRAWING IS EXPRESSLY PROHIBITED. ANY VIOLATION IS PUNISHABLE UNDER U.S. COPYRIGHT LAWS.

REV	DESCRIPTION	DWN	DATE	APPROVED
A	ENGINEERING RELEASE	KMM	7/24/95	R. RICE
B	ENGINEERING RELEASE	CZS	3/26/99	R. RICE

ALL DIMENSIONS ARE REFERENCE ONLY



SUGGESTED STRIPPING INSTRUCTIONS
SUGGESTED CRIMP DIE: .130
PIN TO BE SOLDERED

IMPEDANCE: 50 OHMS
WORKING VOLTAGE: 400 VRMS @ SEA LEVEL
FREQUENCY RANGE: 0-4 GHz
INSERTION LOSS: ≤ .3dB MAX @ 1.5 GHz
VSWR MAX: 1.3:1 @ 4 GHz
FOR RG-316/U DOUBLE SHIELD CABLE

DIMENSIONS ARE IN INCHES AND [MILLIMETERS]

UNLESS OTHERWISE NOTED TOLERANCES ARE:

DECIMALS DIAMETER

DRAWN C. ZUNIGA 3/26/99

CHECKED *[Signature]* 4/9/99

ORU DRAWN K. MAXWELL 7/24/95

APPROVALS DATE

RFconnectors
DIVISION OF RF INDUSTRIES, LTD.

7610 MIRAMAR RD
SAN DIEGO, CA 92126
(619)549-6340
(619)549-6345 FAX

RSB-4252-B1

SMB CRIMP JACK BULKHEAD

SIZE A	CABLE GROUP B1	DWG NO. 8542	REV B
SCALE: 4:1		CAD FILE 13ARC B	SHEET 1 OF 1

ITEM	DESCRIPTION	QTY	MATERIAL	FINISH
9	TUBING	1	HEAT SHRINK	BLACK
8	HEX NUT	1	BRASS	NICKEL
7	LOCK WASHER	1	BRASS	NICKEL
6	FERRULE	1	COPPER	NICKEL
5	FERRULE STUD	1	BRASS	NICKEL
4	DIELECTRIC	1	TEFLON	NONE
3	DIELECTRIC	1	TEFLON	NONE
2	PIN	1	BRASS	GOLD
1	BODY	1	BRASS	NICKEL