

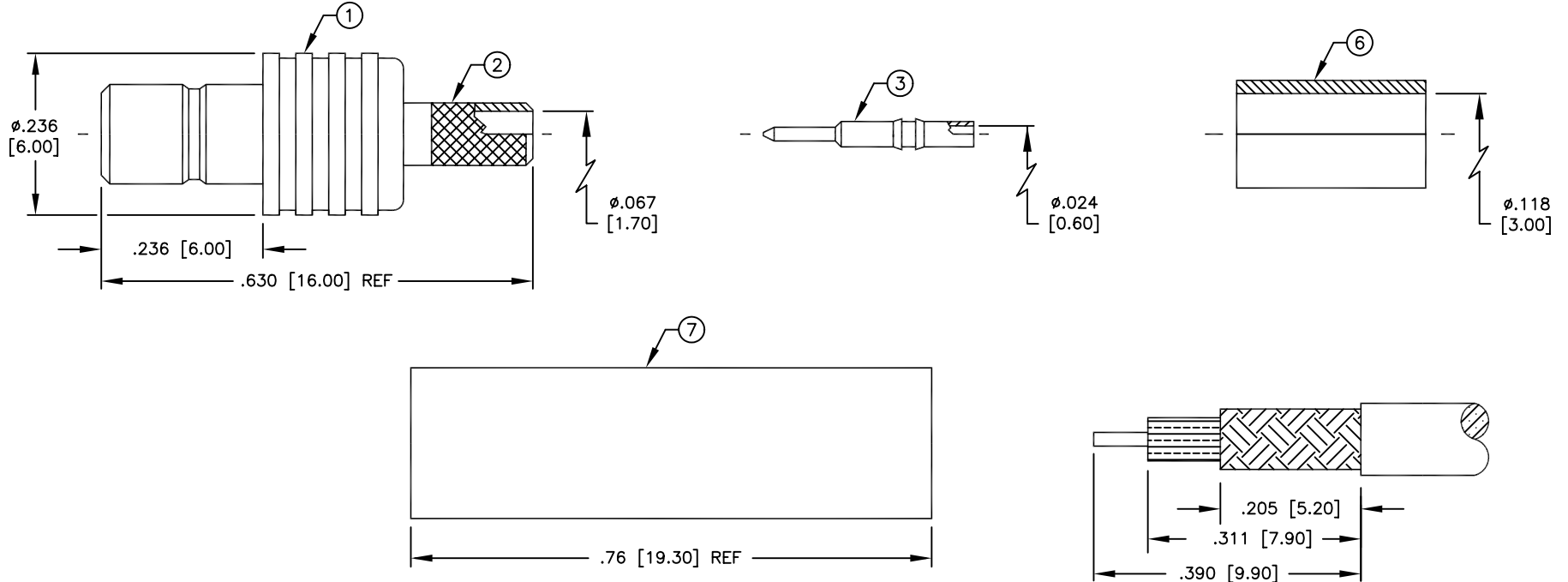
SPECIFICATION CONTROL DRAWING

THIS DRAWING CONTAINS INFORMATION PROPRIETARY TO RF INDUSTRIES, LTD. ANY UNAUTHORIZED USE OF THIS DRAWING IS EXPRESSLY PROHIBITED. ANY VIOLATION IS PUNISHABLE UNDER U.S. COPYRIGHT LAWS.

REV	DESCRIPTION	DWN	DATE	APPROVED
A	ENGINEERING RELEASE	KMM	2/6/96	R. RICE
B	ENGINEERING RELEASE	CZS	11/17/97	R. RICE

ALL DIMENSIONS ARE REFERENCE ONLY

008974



SUGGESTED STRIPPING INSTRUCTIONS
SUGGESTED CRIMP DIE: .130
PIN TO BE SOLDERED

SPECIFICATIONS:

IMPEDANCE: 50 OHMS
WORKING VOLTAGE: 400 VRMS @ SEA LEVEL
FREQUENCY RANGE: 0-4 GHz
INSERTION LOSS: \leq -25 dB @ 4 GHz
VSWR MAX: 1.3:1 @ 4 GHz
FOR RG-174, 188, 188A, 316/U, ALPHA 9174, 9316,
BELDEN 8216, 83269, 83284, 84316 & TIMES LMR-100 CABLE
INTERFACE PER MIL-STD-348A, SECTION 311.1

DIMENSIONS ARE IN INCHES
AND [MILLIMETERS]

UNLESS OTHERWISE NOTED
TOLERANCES ARE:
DECIMALS DIAMETER

DRAWN
C. ZUNIGA 11/17/97

CHECKED

ORJ DRAWN
K. MAXWELL 2/6/96

APPROVALS DATE

RFconnectors
DIVISION OF RF INDUSTRIES, LTD.

7610 MIRAMAR RD
SAN DIEGO, CA 92126
(619)549-6340
(619)549-6345 FAX

RSB-4050-B

SMB CRIMP JACK

SIZE A	CABLE GROUP B	DWG NO. 8603	REV B
-----------	------------------	-----------------	----------

SCALE: 4 : 1

CAD FILE 13ARC B

SHEET 1 OF 1

ITEM	DESCRIPTION	QTY	MATERIAL	FINISH
7	TUBING	1	HEAT SHRINK	BLACK
6	FERRULE	1	COPPER	NICKEL
5	DIELECTRIC	1	TEFLON	NONE
4	DIELECTRIC	1	TEFLON	NONE
3	PIN	1	BRASS	GOLD
2	FERRULE STUD	1	BRASS	NICKEL
1	BODY	1	BRASS	NICKEL