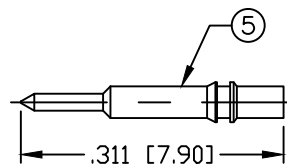
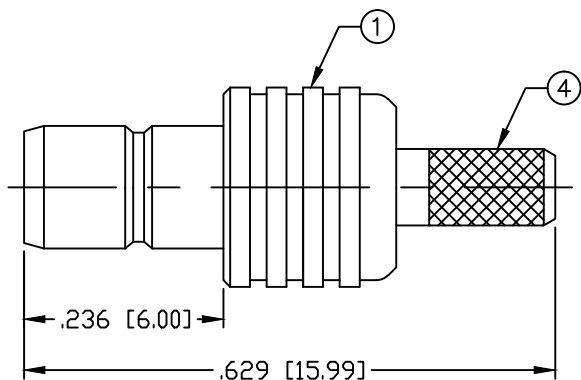


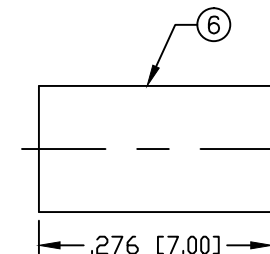
PART NO.

**RSB-4050-1B1**

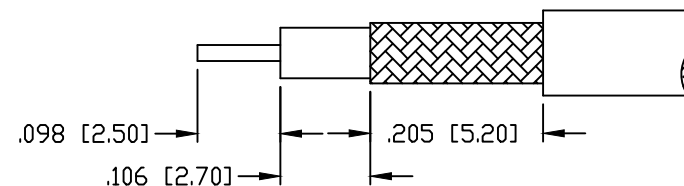
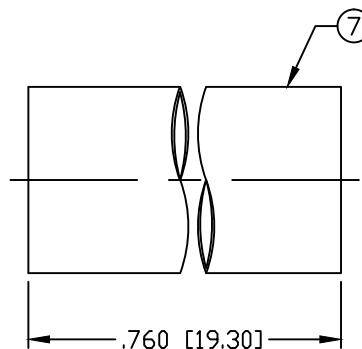
REV	DESCRIPTION	DWN	DATE	APPROVED
-	ENGINEERING RELEASE	CZS	10/10/13	JDMc



PIN TO BE SOLDER  
IF CRIMPING, USE RFA-4089



RECOMMENDED CRIMP DIE: 130"



RECOMMENDED STRIPPING DIMENSIONS

### SPECIFICATIONS:

IMPEDANCE: 50 Ohms  
 FREQUENCY RANGE: 0-4 GHz  
 WORKING VOLTAGE: 335 V rms Max. @ Sea Level  
 VSWR MAX: 1.15  
 INSERTION LOSS(dB):  $0.03 \times \sqrt{f(\text{GHz})}$   
 CONTACT RESISTANCE:  $\leq 6$  m Ohm  
 INSULATION RESISTANCE: 1k M Ohms min.  
 TEMPERATURE RANGE: -65°C TO 165°C  
 FOR RG-316/U DOUBLE SHIELD CABLE

#	DESCRIPTION	QTY	MATERIAL	FINISH
7	TUBING	1	HEAT SHRINK	---
6	FERRULE B1X-002-BG	1	COPPER	GOLD, $5\mu^m$
5	PIN	1	BRASS	GOLD, $30\mu^m$
4	FERRULE STUD	1	BRASS	GOLD, $5\mu^m$
3	INSULATOR	1	PTFE	---
2	INSULATOR	1	PTFE	---
1	BODY	1	BRASS	GOLD, $5\mu^m$

CUSTOMER  
OUTLINE DRAWING  
ALL DIMENSIONS  
ARE REFERENCE ONLY

UNLESS OTHERWISE SPECIFIED:  
DIMENSIONS ARE IN INCHES  
AND [MILLIMETERS]

DRAWN C. ZUNIGA	10/10/13
CHECKED	
ORJ DRAWN C. ZUNIGA	08/06/96

**RoHS**  
COMPLIANT

PROPRIETARY AND CONFIDENTIAL  
THIS DRAWING CONTAINS  
INFORMATION PROPRIETARY TO RF  
INDUSTRIES. ANY UNAUTHORIZED  
USE OF THIS DRAWING IS  
EXPRESSLY PROHIBITED WITHOUT  
WRITTEN PERMISSION FROM RF  
INDUSTRIES. ANY VIOLATION IS  
PUNISHABLE UNDER U.S. COPYRIGHT  
LAWS.

**RFconnectors**  
DIVISION OF RF INDUSTRIES, LTD. 7610 MIRAMAR RD.  
SAN DIEGO, CA 92126  
(858) 549-6340  
(858) 549-6345 FAX

## SMB JACK, CRIMP

SIZE	CABLE GROUP	DWG NO.	REV
A	B1	<b>RSB-4050-1B1</b>	---
SCALE: NTS	ENGINEERING ID: 008974	SHEET 1 OF 1	