

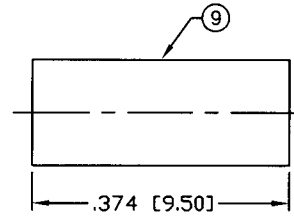
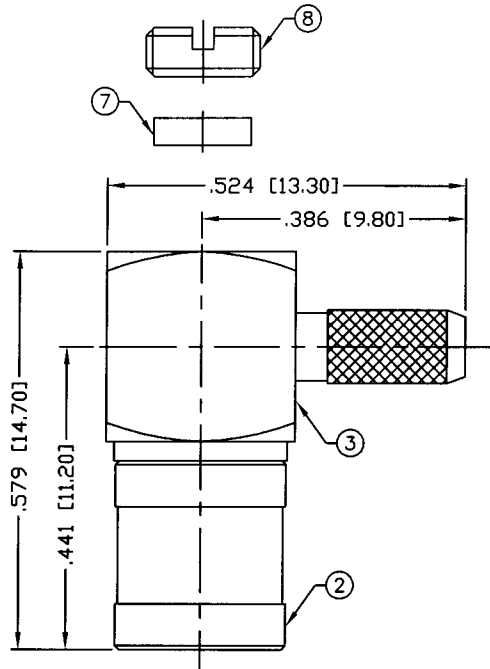
THIS DRAWING CONTAINS INFORMATION PROPRIETARY TO RF INDUSTRIES.  
 ANY UNAUTHORIZED USE OF THIS DRAWING IS EXPRESSLY PROHIBITED  
 WITHOUT WRITTEN PERMISSION FROM RF INDUSTRIES.  
 ANY VIOLATION IS PUNISHABLE UNDER U.S. COPYRIGHT LAWS.

PART NO.

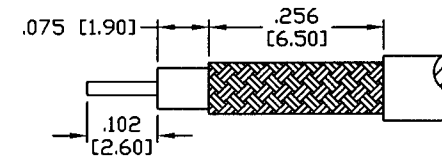
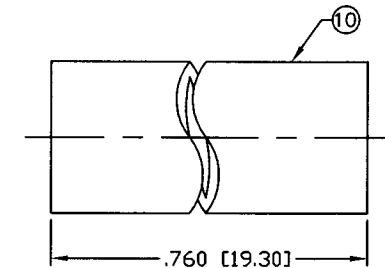
**RSB-4010-1B**

REV	DESCRIPTION	DWN	DATE	APPROVED
-	ENGINEERING RELEASE	CZS	9/8/99	J. D. McR.

ALL DIMENSIONS ARE REFERENCE ONLY



RECOMMENDED CRIMP SIZE: .130"



RECOMMENDED STRIPPING DIMENSIONS

NOTE: ATTACH CABLE TO CONNECTOR BY SOLDERING  
 THE CABLE INNER CONDUCTOR TO THE  
 CONTACT SLOT INSIDE THE CONNECTOR

**SPECIFICATIONS:**

IMPEDANCE: 50 Ohms  
 FREQUENCY RANGE: 0-4 GHz  
 WORKING VOLTAGE: 335 V rms Max. @ Sea Level  
 CONTACT RESISTANCE: ≤ 6 m Ohm  
 INSULATION RESISTANCE: 1k M Ohms min.  
 TEMPERATURE RANGE: -65°C TO 165°C  
 FOR RG-174, 188, 188A, 316/U, ALPHA 9174, 9316,  
 BELDEN 8216, 83269, 83284, 84316 & TIMES LMR-100A CABLE

1	COUPLING NUT	1	BRASS	GOLD, 3μ"	008974	
2	PRESS BODY	1	BRASS	GOLD, 3μ"		
3	BODY	1	BRASS	GOLD, 3μ"		
4	INSULATOR	1	TEFLON	---		
5	CONTACT	1	Be. Cu.	GOLD, 30μ"		
6	RETAINING RING	1	Be. Cu.	---		
7	INSULATOR	1	PE	---		
8	COVER	1	BRASS	GOLD, 3μ"		
9	FERRULE	1	BRASS	GOLD, 3μ"		
10	TUBING	1	HEAT TREAT	---		
11						
12						
13						
14						
#	DESCRIPTION	QTY	MATERIAL	FINISH (IN)	APPROVALS	DATE

DRAWN  
 C. ZUNIGA  
 CHECKED  
  
 3-21-03  
 ORJ DRAWN  
 C. ZUNIGA  
 3/21/03

UNLESS OTHERWISE SPECIFIED:

1. REMOVE ALL BURRS
2. BREAK ALL CORNERS & EDGES .005 R. MAX.
3. CHAMFER 1ST & LAST THREADS 45°
4. SURFACE ROUGHNESS 63 FINISH MIL-STD-10
5. DIAMETERS ON COMMON CENTERS TO BE CONCENTRIC WITHIN .002 T.I.R.
6. ALL DIMENSIONS ARE AFTER PLATING.

DIMENSIONS ARE IN INCHES  
 AND [MILLIMETERS]  
 UNLESS OTHERWISE NOTED  
 TOLERANCES ARE:

DECIMALS	DIAMETER
.XXX±.003 [.08]	.XXX±.001 [.03]
.XX±.005 [.13]	.XX±.003 [.08]

**RF connectors**  
 DIVISION OF RF INDUSTRIES, LTD.

7610 MIRAMAR RD  
 SAN DIEGO, CA 92126  
 (858) 549-6340  
 (858) 549-6345 FAX

**SMB PLUG, CRIMP**

RIGHT ANGLE

SIZE A	CABLE GROUP B	DWG NO. RSB-4010-1B	REV -
SCALE: NTS		CAD FILE OUTLINE	SHEET 1 OF 1