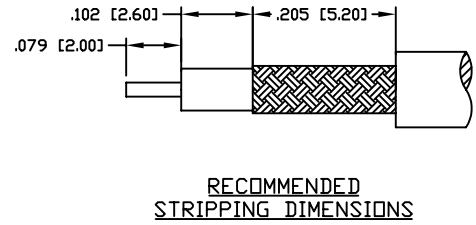
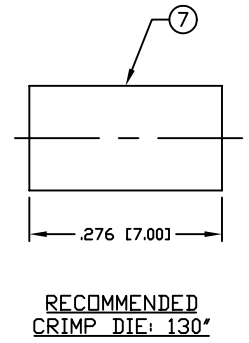
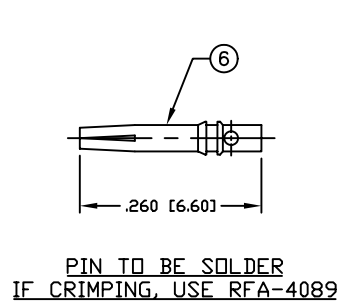
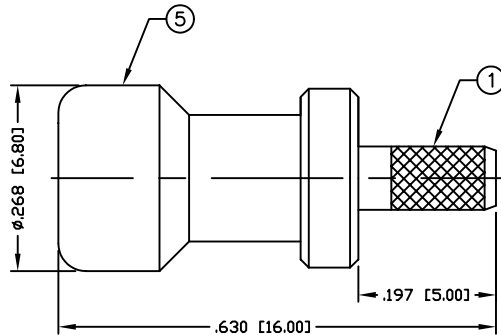


THIS DRAWING CONTAINS INFORMATION PROPRIETARY TO RF INDUSTRIES.
 ANY UNAUTHORIZED USE OF THIS DRAWING IS EXPRESSLY PROHIBITED
 WITHOUT WRITTEN PERMISSION FROM RF INDUSTRIES.
 ANY VIOLATION IS PUNISHABLE UNDER U.S. COPYRIGHT LAWS.

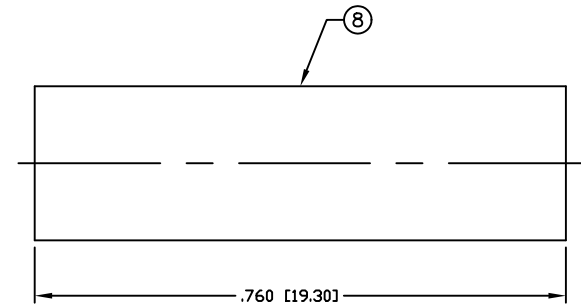
ALL DIMENSIONS ARE REFERENCE ONLY

PART NO.		RSB-4000-B		
REV	DESCRIPTION	DWN	DATE	APPROVED
A	ENGINEERING RELEASE	KMM	6/19/95	R. RICE
B	ENGINEERING RELEASE	CZS	8/9/97	R. RICE
C	CHANGE STRIPPING STRUCTIONS	CZS	7/6/98	R. RICE
D	CHANGE SPECS, FORMAT & DRAWING # 8750	GGG	3/5/02	JDMc



SPECIFICATIONS:

IMPEDANCE: 50 Ohms
 FREQUENCY RANGE: 0-4 GHz
 WORKING VOLTAGE: 335 V rms Max. @ Sea Level
 VSWR MAX: 1.3
 INSERTION LOSS: $\leq .25$ dB @ 4 GHz
 CONTACT RESISTANCE: ≤ 6 m Ohm
 INSULATION RESISTANCE: 1k M Ohms min.
 TEMPERATURE RANGE: -65°C TO 165°C
 FOR RG-174, 188, 188A, 316/U, ALPHA 9174, 9316,
 BELDEN 8216, 83269, 83284, 84316 & TIMES LMR-100A CABLE



1	BODY	1	BRASS	NICKEL, 100 μ "	008974	
2	INSULATOR	1	PTFE	----		
3	INSULATOR	1	PTFE	----		
4	SNAP RING	1	Be-Cu	NICKEL, 100 μ "		
5	SHELL	1	COPPER	NICKEL, 100 μ "		
6	PIN	1	Be-Cu	GOLD, 30 μ "		
7	FERRULE	1	COPPER	NICKEL, 100 μ "		
8	TUBING	1	HEAT SHRINK	----		
9						
10					DRAWN	
11					G. GALLEGOS	
12					CHECKED	
13					ORJ DRAWN	
14					K. MAXWELL	
#	DESCRIPT	QTY	MATRL	FINISH	APPROVALS	DATE

UNLESS OTHERWISE SPECIFIED:
 1. REMOVE ALL BURRS
 2. BREAK ALL CORNERS & EDGES .005 R. MAX.
 3. CHAMFER 1ST & LAST THREADS 45°
 4. SURFACE ROUGHNESS 63 FINISH MIL-STD-10
 5. DIAMETERS ON COMMON CENTERS TO BE CONCENTRIC WITHIN .002 T.I.R.
 6. ALL DIMENSIONS ARE AFTER PLATING.

DIMENSIONS ARE IN INCHES AND [MILLIMETERS]
 UNLESS OTHERWISE NOTED TOLERANCES ARE:
 DECIMALS DIAMETER
 .xxx \pm .003 [.08] .xxx \pm .001 [.03]
 .xx \pm .005 [.13] .xx \pm .003 [.08]

7610 MIRAMAR RD
 SAN DIEGO, CA 92126
 (858) 549-6340
 (858) 549-6345 FAX

RF connectors
 DIVISION OF RF INDUSTRIES, LTD.

SMB PLUG CRIMP

SIZE A	CABLE GROUP B	DWG NO. RSB-4000-B	REV D
SCALE: NTS		CAD FILE OUTLINE	SHEET 1 OF 1