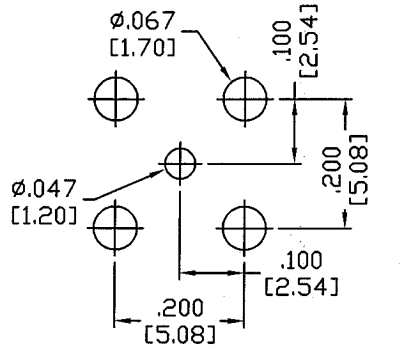


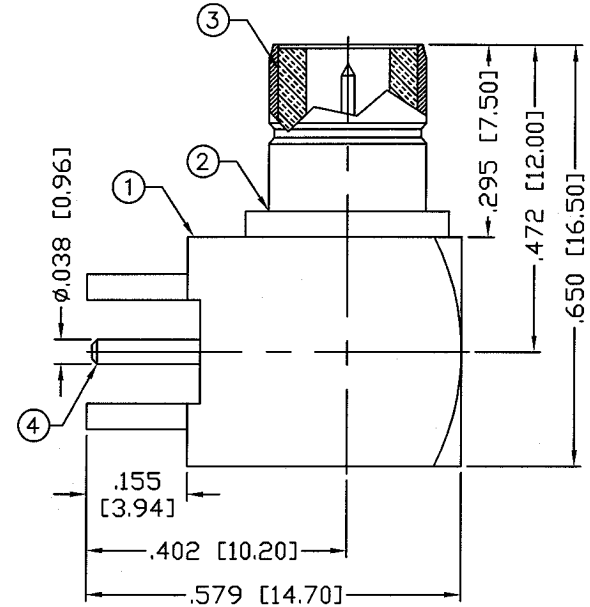
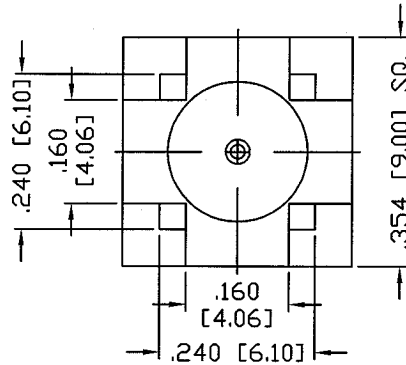
THIS DRAWING CONTAINS INFORMATION PROPRIETARY TO RF INDUSTRIES,  
 ANY UNAUTHORIZED USE OF THIS DRAWING IS EXPRESSLY PROHIBITED  
 WITHOUT WRITTEN PERMISSION FROM RF INDUSTRIES.  
 ANY VIOLATION IS PUNISHABLE UNDER U.S. COPYRIGHT LAWS.

ALL DIMENSIONS ARE REFERENCE ONLY

PART NO. <b>RSB-355-1</b>		DWN	DATE	APPROVED
REV	DESCRIPTION			
-	ENGINEERING RELEASE	CZS	2/22/00	JDMc



RECOMMENDED MOUNTING HOLE



**SPECIFICATIONS:**

IMPEDANCE: 75 OHMS  
 FREQUENCY RANGE: 0-2 GHz

1	BODY	1	BRASS	GOLD, 3 μ"
2	PRESS BODY	1	BRASS	GOLD, 3 μ"
3	INSULATOR	1	PTFE	----
4	PIN	1	BRASS	GOLD, 30 μ"
5	INSULATOR	1	PTFE	----
6				
7				
8				
9				
10				
11				
12				
13				
14				
#	DESCRIPTION	QTY	MATERIAL	FINISH

008974	
DRAWN	6/19/01
C. ZUNIGA	
CHECKED	6/19/01
JDMc	
ORJ DRAWN	6/19/01
C. ZUNIGA	
APPROVALS	DATE

UNLESS OTHERWISE SPECIFIED:

1. REMOVE ALL BURRS
2. BREAK ALL CORNERS & EDGES .005 R. MAX.
3. CHAMFER 1ST & LAST THREADS 45°
4. SURFACE ROUGHNESS 63 FINISH MIL-STD-10
5. DIAMETERS ON COMMON CENTERS TO BE CONCENTRIC WITHIN .002 T.I.R.
6. ALL DIMENSIONS ARE AFTER PLATING.

DIMENSIONS ARE IN INCHES AND [MILLIMETERS]  
 UNLESS OTHERWISE NOTED TOLERANCES ARE:

DECIMALS	DIAMETER
.XXX±.003 [.08]	.XXX±.001 [.03]
.XX±.005 [.13]	.XX±.003 [.08]

RF

7610 MIRAMAR RD  
 SAN DIEGO, CA 92126  
 (858) 549-6340  
 (858) 549-6345 FAX

DIVISION OF RF INDUSTRIES, LTD.

## SMB JACK

R/A, P. C. B. MOUNT RECEPTACLE

SIZE	CABLE GROUP	DWG NO.	REV
A	N/A	RSB-355-1	-

SCALE:	NTS	CAD FILE	OUTLINE	SHEET	1 OF 1
--------	-----	----------	---------	-------	--------