

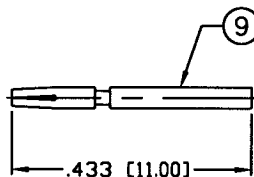
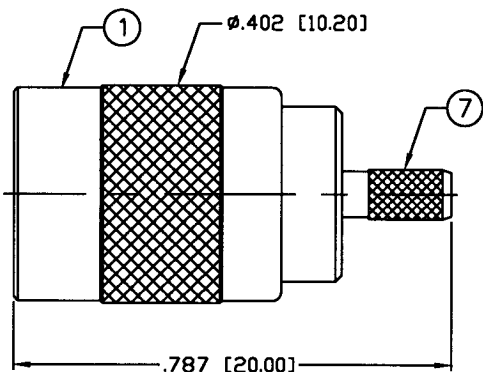
THIS DRAWING CONTAINS INFORMATION PROPRIETARY TO RF INDUSTRIES.  
 ANY UNAUTHORIZED USE OF THIS DRAWING IS EXPRESSLY PROHIBITED  
 WITHOUT WRITTEN PERMISSION FROM RF INDUSTRIES.  
 ANY VIOLATION IS PUNISHABLE UNDER U.S. COPYRIGHT LAWS.

ALL DIMENSIONS ARE REFERENCE ONLY

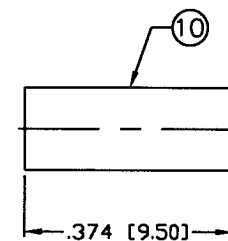
PART NO.

**RSB-301-179**

REV	DESCRIPTION	DWN	DATE	APPROVED
A	ENGINEERING RELEASE	CZS	1/20/99	R. RICE
B	CHG P/N FROM RFX-3345 / CHG FORMAT & DWG # 9002	GGG	3/18/02	JDMc



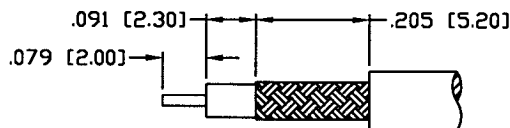
RECOMMENDED SOLDER  
 CRIMP W/ RFA-4089



RECOMMENDED  
 CRIMP DIE: .130"

**SPECIFICATIONS:**

IMPEDANCE: 75 Ohms  
 FREQUENCY RANGE: 0-2 GHz  
 WORKING VOLTAGE: 335 V rms Max. @ Sea Level  
 CONTACT RESISTANCE: 6 m Ohm  
 INSULATION RESISTANCE: 1k M Ohms min.  
 TEMPERATURE RANGE: -65°C TO 165°C



RECOMMENDED  
 STRIPPING DIMENSIONS

1	SHELL	1	BRASS	NICKEL, 100μ"
2	BODY	1	BRASS	GOLD, 3μ"
3	RETAINING RING	1	Be-Cu	---
4	WASHER	2	BRASS	NICKEL, 100μ"
5	SPRING	1	SST	---
6	INSULATOR	1	PTFE	---
7	FERRULE STUD	1	BRASS	NICKEL, 100μ"
8	RING	1	BRASS	NICKEL, 100μ"
9	PIN	1	Be-Cu	GOLD, 30μ"
10	FERRULE	1	BRASS	NICKEL, 100μ"
11				
12				
13				
14				

008974	
DRAWN	G. GALLEGOS
CHECKED	<i>[Signature]</i>
ORJ DRAWN	C. ZUNIGA
DATE	3/18/02
	3-18-02
	1/20/99

UNLESS OTHERWISE SPECIFIED:  
 1. REMOVE ALL BURRS  
 2. BREAK ALL CORNERS & EDGES .005 R. MAX.  
 3. CHAMFER 1ST & LAST THREADS 45°  
 4. SURFACE ROUGHNESS 63 FINISH MIL-STD-10  
 5. DIAMETERS ON COMMON CENTERS TO BE CONCENTRIC WITHIN .002 T.I.R.  
 6. ALL DIMENSIONS ARE AFTER PLATING.

DIMENSIONS ARE IN INCHES AND [MILLIMETERS]  
 UNLESS OTHERWISE NOTED TOLERANCES ARE:  
 DECIMALS .xxx±.003 [.08]  
 DIAMETER .xxx±.001 [.03]  
 .xx±.005 [.13]

7610 MIRAMAR RD  
 SAN DIEGO, CA 92126  
 (858) 549-6340  
 (858) 549-6345 FAX

**RF connectors**  
 DIVISION OF RF INDUSTRIES, LTD.

## SMB PLUG CRIMP

WITH LOCKING SHELL

SIZE	CABLE GROUP	DWG NO.	REV
A	N/A	RSB-301-179	B

SCALE: NTS      CAD FILE OUTLINE      SHEET 1 OF 1