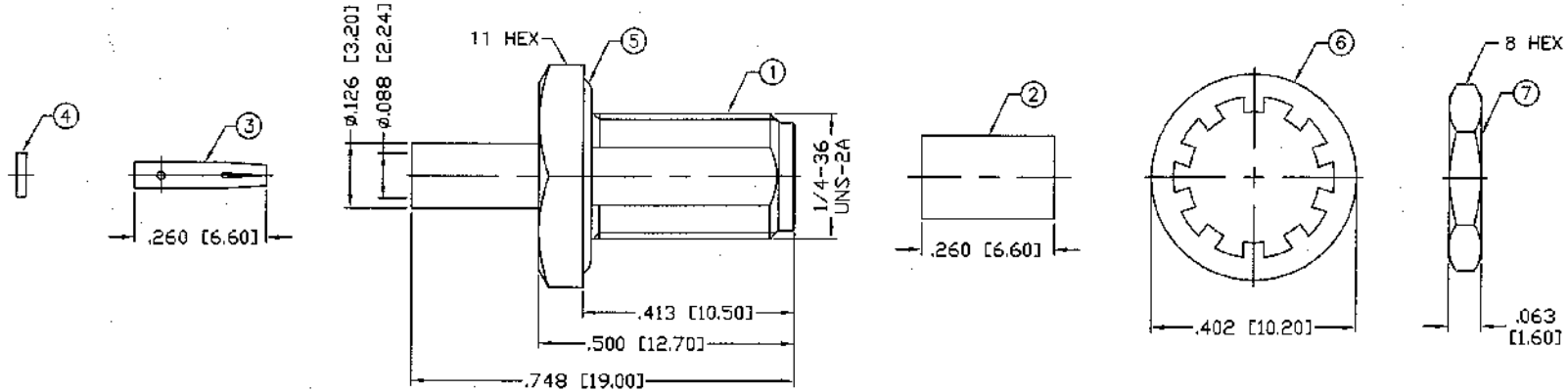


THIS DRAWING CONTAINS INFORMATION PROPRIETARY TO RF INDUSTRIES.
 ANY UNAUTHORIZED USE OF THIS DRAWING IS EXPRESSLY PROHIBITED
 WITHOUT WRITTEN PERMISSION FROM RF INDUSTRIES.
 ANY VIOLATION IS PUNISHABLE UNDER U.S. COPYRIGHT LAWS.

ALL DIMENSIONS ARE REFERENCE ONLY

PART NO.		RSA-3560-1-SR1		
REV	DESCRIPTION	DWN	DATE	APPROVED
--	ENGINEERING RELEASE	CZS	6/23/98	JDMc



SPECIFICATIONS:

IMPEDANCE: 50 Ohms
 FREQUENCY RANGE: 0-18 GHz
 INSERTION LOSS(dB): $0.03 \times \sqrt{f(\text{GHz})}$
 VSWR: 1.3 MAX.
 WORKING VOLTAGE: 500 V rms Max. @ Sea Level
 INSULATION RESISTANCE: 5k M. Ohms min.
 TEMPERATURE RANGE: -65°C TO 85°C
 FOR .085 SEMI RIGID, RG-405/U & BELDEN 1671A CABLE

RECOMMENDED STRIPPING DIMENSIONS

1	BODY	1	BRASS	GOLD, 3μ"
2	INSULATOR	1	PTFE	----
3	CONTACT	1	BeCu	GOLD, 50μ"
4	INSULATOR	1	PTFE	----
5	GASKET	1	SILICONE	----
6	LOCK WASHER	1	BRASS	GOLD, 3μ"
7	HEX NUT	1	BRASS	GOLD, 3μ"
8				
9				
10				
11				
12				
13				
14				
#	DESCRIPTION	QTY	MATERIAL	FINISH

008974	
DRAWN C. ZUNIGA	1/28/02
CHECKED <i>[Signature]</i>	1/28/02
ORJ C. ZUNIGA	1/28/02
APPROVALS	DATE

UNLESS OTHERWISE SPECIFIED:
 1. REMOVE ALL BURRS
 2. BREAK ALL CORNERS & EDGES .005 R. MAX.
 3. CHAMFER 1ST & LAST THREADS 45°
 4. SURFACE ROUGHNESS 63 FINISH MIL-STD-10
 5. DIAMETERS ON COMMON CENTERS TO BE CONCENTRIC WITHIN .002 T.I.R.
 6. ALL DIMENSIONS ARE AFTER PLATING.

DIMENSIONS ARE IN INCHES AND [MILLIMETERS]
 UNLESS OTHERWISE NOTED TOLERANCES ARE:
 DECIMALS DIAMETER
 .XXX±.003 [.08] .XXX±.001 [.03]
 XX±.005 [.13] .XX±.003 [.08]

RF

7610 MIRAMAR RD
 SAN DIEGO, CA 92126
 (858) 549-6340
 (858) 549-6345 FAX

DIVISION OF RF INDUSTRIES, LTD.

SMA JACK, BULKHEAD

SIZE	CABLE GROUP	DWG NO.	REV
A	SR1	RSA-3560-1-SR1	—

SCALE: NTS
CAD FILE OUTLINE
SHEET 1 OF 1