

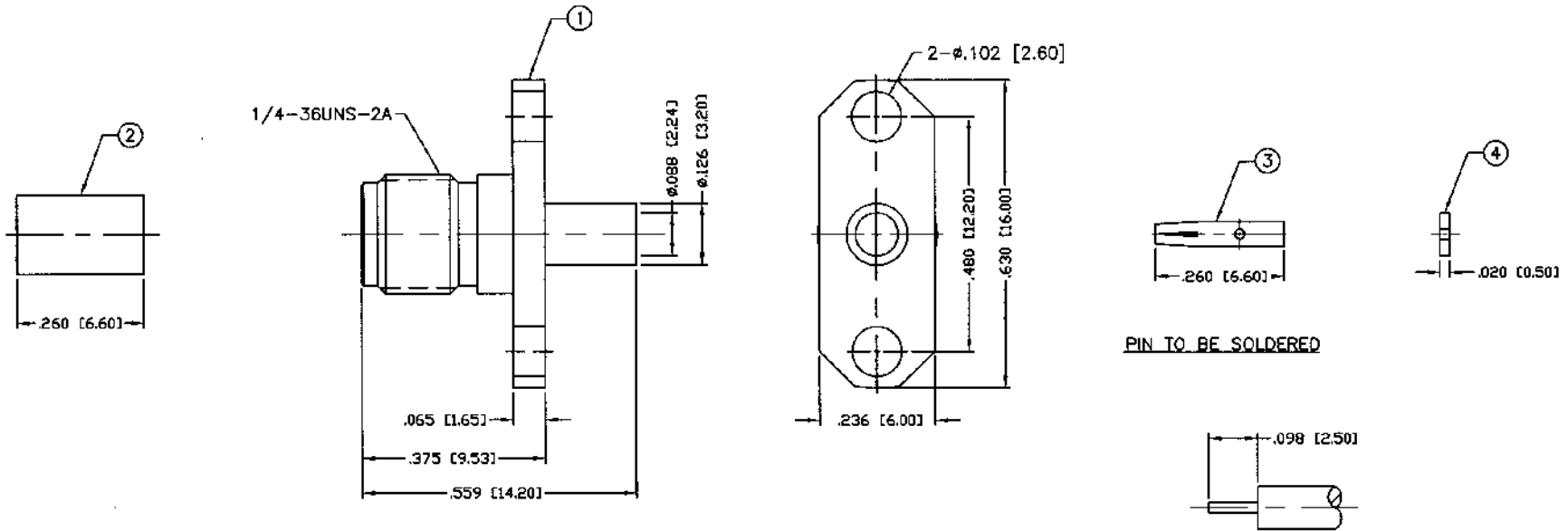
THIS DRAWING CONTAINS INFORMATION PROPRIETARY TO RF INDUSTRIES.
 ANY UNAUTHORIZED USE OF THIS DRAWING IS EXPRESSLY PROHIBITED
 WITHOUT WRITTEN PERMISSION FROM RF INDUSTRIES.
 ANY VIOLATION IS PUNISHABLE UNDER U.S. COPYRIGHT LAWS.

ALL DIMENSIONS ARE REFERENCE ONLY

PART NO.

RSA-3550-085

REV	DESCRIPTION	OWN	DATE	APPROVED
A	ENGINEERING RELEASE	WMD	10/24/93	C. JONES
B	CHG PART NUMBER FROM SRA-2362-085 TO RSA-3550-085	WMD	12/31/93	C. JONES
C	ADD ELECTRIC SPECIFICATIONS	KMM	12/02/96	R. RICE
D	CHANGE SPECS & DWG # 8242	GGG	1/28/02	JDMc



PIN TO BE SOLDERED

RECOMMENDED STRIPPING INSTRUCTIONS

SPECIFICATIONS:

IMPEDANCE: 50 Ohms
 FREQUENCY RANGE: 0-18 GHz
 WORKING VOLTAGE: 500 V rms Max. @ Sea Level
 INSULATION RESISTANCE: 5k M Ohms min.
 TEMPERATURE RANGE: -65°C TO 165°C
 FOR .085 SEMI RIGID, RG-405/U & BELDEN 1671A CABLE

1	BODY	1	BRASS	NICKEL, 100µ"
2	INSULATOR	1	PTFE	---
3	CONTACT	1	Be-Cu	GOLD, 50µ"
4	INSULATOR	1	PTFE	---
5				
6				
7				
8				
9				
10				
11				
12				
13				
14				

008974	
DRAWN	G. GALLEGOS
CHECKED	W. DANIELS
DATE	0/24/93

UNLESS OTHERWISE SPECIFIED:
 1. REMOVE ALL BURRS
 2. BREAK ALL CORNERS & EDGES .005 R. MAX.
 3. CHAMFER 1ST & LAST THREADS 45°
 4. SURFACE ROUGHNESS 63 FINISH MIL-STD-10
 5. DIAMETERS ON COMMON CENTERS TO BE CONCENTRIC WITHIN .002 T.I.R.
 6. ALL DIMENSIONS ARE AFTER PLATING.

DIMENSIONS ARE IN INCHES AND [MILLIMETERS]
 UNLESS OTHERWISE NOTED TOLERANCES ARE:
 DECIMALS DIAMETER
 .xxx±.003 [.08] .xxx±.001 [.03]
 .xx±.005 [.13] .xx±.003 [.08]

RF connectors
 DIVISION OF RF INDUSTRIES, LTD.

7610 MIRAMAR RD
 SAN DIEGO, CA 92126
 (858) 549-6340
 (858) 549-6345 FAX

SMA JACK
 2 HOLE FLANGE

SIZE	CABLE GROUP	DWG NO.	REV
A	SR1	RSA-3550-085	D

SCALE: NTS CAD FILE OUTLINE SHEET 1 OF 1