

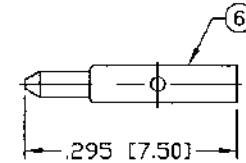
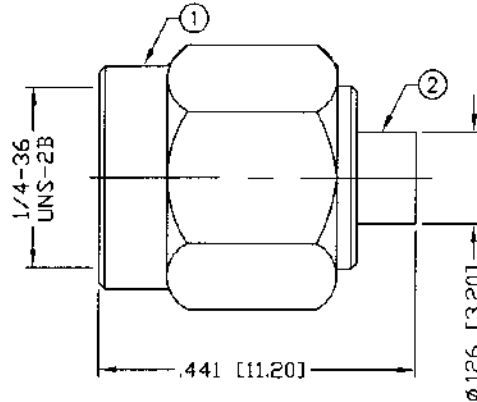
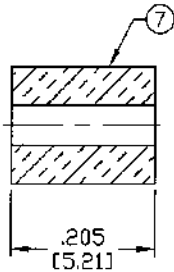
THIS DRAWING CONTAINS INFORMATION PROPRIETARY TO RF INDUSTRIES.  
 ANY UNAUTHORIZED USE OF THIS DRAWING IS EXPRESSLY PROHIBITED  
 WITHOUT WRITTEN PERMISSION FROM RF INDUSTRIES.  
 ANY VIOLATION IS PUNISHABLE UNDER U.S. COPYRIGHT LAWS.

ALL DIMENSIONS ARE REFERENCE ONLY

PART NO.

**RSA-3500-085**

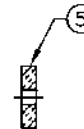
REV	DESCRIPTION	DWN	DATE	APPROVED
A	ENGINEERING RELEASE	KMM	6/16/095	R. RICE
B	FORMALIZE DRAWING	KMM	10/20/96	R. RICE
C	ADD DIELECTRIC [#4] / CHANGE STRIPPING INSTRUCTIONS	KMM	5/27/98	R. RICE
D	UPDATE DRAWING, DWG FORMAT AND SPECS	CZS	06/29/05	JDMc



RECOMMENDED SOLDER ONLY

**SPECIFICATIONS:**

IMPEDANCE: 50 Ohms  
 FREQUENCY RANGE: 0-12.4 GHz  
 INSERTION LOSS(dB):  $1.07 + .01 \times \sqrt{f(\text{GHz})}$   
 VSWR: 1.3 MAX.  
 WORKING VOLTAGE: 500 V rms Max. @ Sea Level  
 INSULATION RESISTANCE: 5k M Ohms min.  
 TEMPERATURE RANGE: -65°C TO 165°C  
 FOR .085 SEMI RIGID, RG-405/U & BELDEN 1671A CABLE



RECOMMENDED STRIPPING DIM'S

1	SHELL	1	BRASS	NICKEL, 100μ"	009874	
2	BODY	1	BRASS	NICKEL, 100μ"		
3	RETAINER RING	1	Be.Cu.	----		
4	GASKET	1	SILICONE	----		
5	INSULATOR	1	PTFE	----		
6	PIN	1	BRASS	GOLD, 50μ"		
7	INSULATOR	1	PTFE	----		
8						
9						
10						
11						
12						
13						
14						
#	DESCRIPTION	QTY	MATERIAL	FINISH	APPROVALS	DATE

UNLESS OTHERWISE SPECIFIED:  
  
 DIMENSIONS ARE IN INCHES AND [MILLIMETERS]  
 UNLESS OTHERWISE NOTED TOLERANCES ARE:  
 DECIMALS      DIAMETER

**RF connectors**  
 DIVISION OF RF INDUSTRIES, LTD.  
 7610 MIRAMAR RD  
 SAN DIEGO, CA 92126  
 (858) 549-6340  
 (858) 549-6345 FAX

**SMA PLUG, SOLDER**

SIZE	CABLE GROUP	DWG NO.	REV
A	SR1	RSA-3500-085	D
SCALE:	NTS	CAD FILE	OUTLINE
			SHEET 1 OF 1