

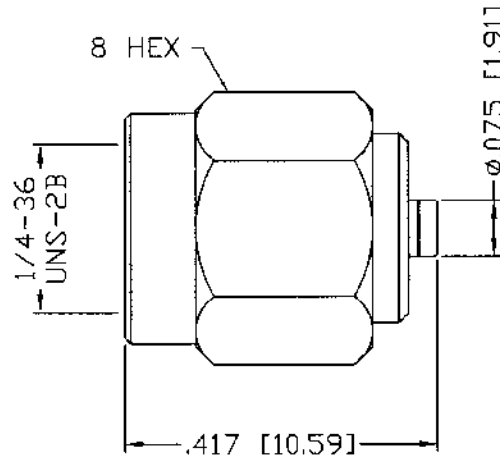
THIS DRAWING CONTAINS INFORMATION PROPRIETARY TO RF INDUSTRIES.
 ANY UNAUTHORIZED USE OF THIS DRAWING IS EXPRESSLY PROHIBITED
 WITHOUT WRITTEN PERMISSION FROM RF INDUSTRIES.
 ANY VIOLATION IS PUNISHABLE UNDER U.S. COPYRIGHT LAWS.

ALL DIMENSIONS ARE REFERENCE ONLY

PART NO.

RSA-3494

REV	DESCRIPTION	DWN	DATE	APPROVED
-	ENGINEERING RELEASE	CZS	10/15/02	JDMc



SPECIFICATIONS:

IMPEDANCE: 50 Ohms
 FREQUENCY RANGE: 0-6 GHz
 WORKING VOLTAGE: 500 V rms Max. @ Sea Level
 INSULATION RESISTANCE: 500 M Ohms min.
 TEMPERATURE RANGE: -40°C TO 90°C

1	BODY	1	BRASS	GOLD, 3μ"
2	INSULATOR	1	PTFE	---
3	CONTACT	1	Be.Cu.	GOLD, 30μ"
4	GASKET	1	SILICONE	---
5	RETAINING RING	1	Be. Cu.	---
6	SHELL	1	BRASS	GOLD, 3μ"
7				
8				
9				
10				
11				
12				
13				
14				

000360	
DRAWN C. ZUNIGA	10/15/02
CHECKED <i>[Signature]</i>	10/15/02
ORJ DRAWN C. ZUNIGA	10/15/94
APPROVALS	DATE

UNLESS OTHERWISE SPECIFIED:
 1. REMOVE ALL BURRS
 2. BREAK ALL CORNERS & EDGES .005 R. MAX.
 3. CHAMFER 1ST & LAST THREADS 45°
 4. SURFACE ROUGHNESS 63 FINISH MIL-STD-10
 5. DIAMETERS ON COMMON CENTERS TO BE CONCENTRIC WITHIN .002 T.I.R.
 6. ALL DIMENSIONS ARE AFTER PLATING.

DIMENSIONS ARE IN INCHES AND [MILLIMETERS]
 UNLESS OTHERWISE NOTED TOLERANCES ARE:

DECIMALS	DIAMETER
.XXX±.003 [.08]	.XXX±.001 [.03]
.XX±.005 [.13]	.XX±.003 [.08]

RF connectors
 DIVISION OF RF INDUSTRIES, LTD.

7610 MIRAMAR RD
 SAN DIEGO, CA 92126
 (858) 549-6340
 (858) 549-6345 FAX

SMA PLUG TO MHF JACK			
ADAPTER (HRS cross)			
SIZE A	CABLE GROUP N/A	DWG NO. RSA-3494	REV -
SCALE: NTS	CAD FILE	OUTLINE	SHEET 1 OF 1