

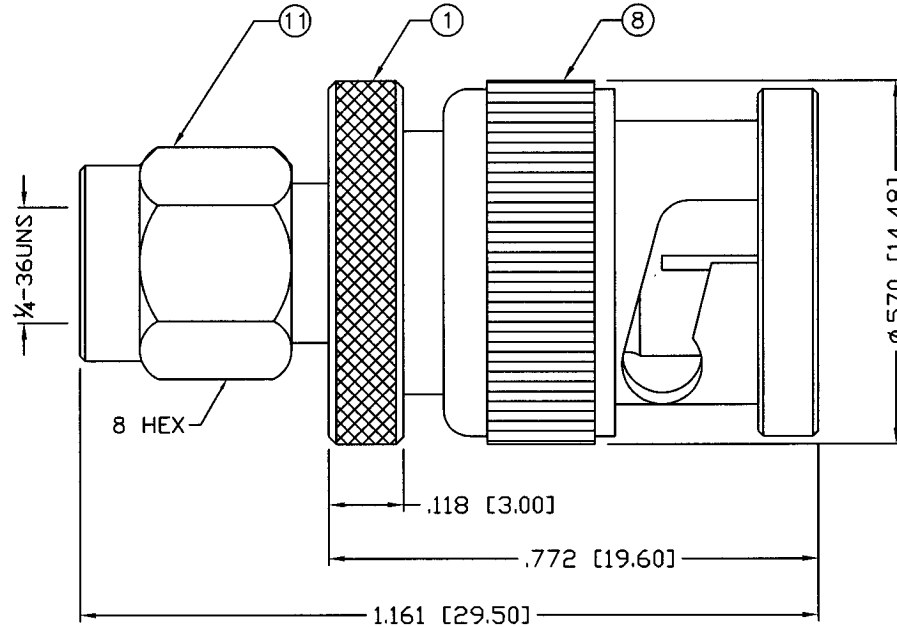
THIS DRAWING CONTAINS INFORMATION PROPRIETARY TO RF INDUSTRIES.  
 ANY UNAUTHORIZED USE OF THIS DRAWING IS EXPRESSLY PROHIBITED  
 WITHOUT WRITTEN PERMISSION FROM RF INDUSTRIES.  
 ANY VIOLATION IS PUNISHABLE UNDER U.S. COPYRIGHT LAWS.

ALL DIMENSIONS ARE REFERENCE ONLY

PART NO.

**RSA-3459**

REV	DESCRIPTION	DWN	DATE	APPROVED
B	CHANGE PART # FROM RSA-2388 TO RSA-3476	WMD	8/11/93	C. JONES
C	CREATE SECTION DRAWING	KMM	7/14/94	R. RICE
D	CHANGE MATERIALS	KMM	10/5/96	R. RICE
E	CHANGE SPECS, FORMAT & DWG # 8182	CZS	1/31/02	JDMc



**SPECIFICATIONS:**

IMPEDANCE: 50 Ohms  
 FREQUENCY RANGE: 0-4 GHz  
 WORKING VOLTAGE: 335 V rms Max. @ Sea Level  
 INSULATION RESISTANCE: 5k M Ohms min.  
 TEMPERATURE RANGE: -65°C TO 85°C

1	BODY	1	BRASS	NICKEL, 100μ"
2	INSULATOR	1	PTFE	---
3	PIN	1	BRASS	GOLD, 3μ"
4	WASHER	1	BRASS	NICKEL, 100μ"
5	SPRING	1	SK5	NICKEL, 100μ"
6	RETAINING RING	1	BRASS	NICKEL, 100μ"
7	GASKET	1	RUBBER	RED
8	SHELL	1	BRASS	NICKEL, 100μ"
9	RETAINING RING	1	Be. Cu.	---
10	GASKET	1	SILICONE	RED
11	SHELL	1	BRASS	NICKEL, 100μ"
12				
13				
14				
#	DESCRIPTION	QTY	MATRL	FINISH

008974	
DRAWN C. ZUNIGA	1/31/02
CHECKED <i>JDMc</i>	1-31-02
ORJ DRAWN C. ZUNIGA	8/11/93
APPROVALS	DATE

UNLESS OTHERWISE SPECIFIED:

- REMOVE ALL BURRS
- BREAK ALL CORNERS & EDGES .005 R. MAX.
- CHAMFER 1ST & LAST THREADS 45°
- SURFACE ROUGHNESS 63 FINISH MIL-STD-10
- DIAMETERS ON COMMON CENTERS TO BE CONCENTRIC WITHIN .002 T.I.R.
- ALL DIMENSIONS ARE AFTER PLATING.

DIMENSIONS ARE IN INCHES AND [MILLIMETERS]  
 UNLESS OTHERWISE NOTED TOLERANCES ARE:

DECIMALS	DIAMETER
.xxx±.003 [.08]	.xxx±.001 [.03]
.xx±.005 [.13]	.xx±.003 [.08]

**RF connectors**  
 DIVISION OF RF INDUSTRIES, LTD.

7610 MIRAMAR RD  
 SAN DIEGO, CA 92126  
 (858) 549-6340  
 (858) 549-6345 FAX

**SMA PLUG TO BNC PLUG**

ADAPTER

SIZE A	CABLE GROUP N/A	DWG NO. RSA-3459	REV E
SCALE: NTS		CAD FILE OUTLINE	SHEET 1 OF 1