

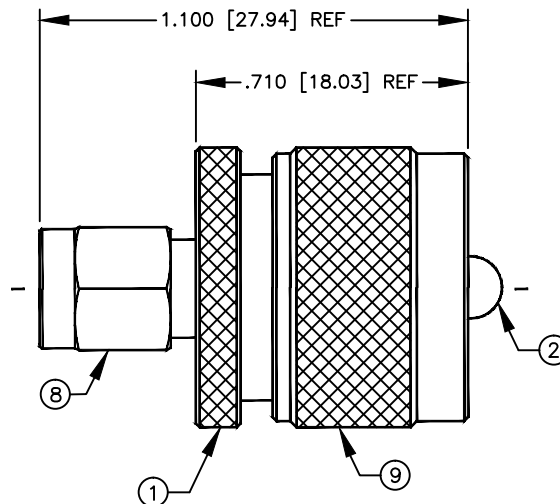
SPECIFICATION CONTROL DRAWING

THIS DRAWING CONTAINS INFORMATION PROPRIETARY TO RF INDUSTRIES, LTD. ANY UNAUTHORIZED USE OF THIS DRAWING IS EXPRESSLY PROHIBITED. ANY VIOLATION IS PUNISHABLE UNDER U.S. COPYRIGHT LAWS.

REV	DESCRIPTION	DWN	DATE	APPROVED
A	ENGINEERING RELEASE	CZS	12/23/97	R. RICE

ALL DIMENSIONS ARE REFERENCE ONLY

008974



SPECIFICATIONS:

IMPEDANCE: 50 OHMS
 WORKING VOLTAGE: 335 VRMS @ SEA LEVEL
 FREQUENCY RANGE: 0-300 MHz

ITEM	DESCRIPTION	QTY	MATERIAL	FINISH
10	SHELL	1	BRASS	NICKEL
9	RETAINING RING	1	BRASS	NICKEL
8	SHELL	1	BRASS	NICKEL
7	RETAINING RING	1	BeCu	NONE
6	GASKET	1	S.I. RUBBER	RED
5	DIELECTRIC	1	PTFE	NONE
4	DIELECTRIC	1	PTFE	NONE
3	PIN	1	BRASS	GOLD
2	PIN	1	BRASS	GOLD
1	BODY	1	BRASS	NICKEL

DIMENSIONS ARE IN INCHES AND [MILLIMETERS]	
UNLESS OTHERWISE NOTED TOLERANCES ARE:	
DECIMALS	DIAMETER
DRAWN C. ZUNIGA	12/23/97
CHECKED	
ORJ DRAWN C. ZUNIGA	12/23/97
APPROVALS	DATE

RFconnectors
 DIVISION OF RF INDUSTRIES, LTD.

7610 MIRAMAR RD
 SAN DIEGO, CA 92126
 (619)549-6340
 (619)549-6345 FAX

RSA-3456

SMA MALE TO UHF MALE ADAPTOR

SIZE A	CABLE GROUP N/A	DWG NO. 8828	REV A
SCALE: 2:1		CAD FILE 13ARC B	SHEET 1 OF 1