

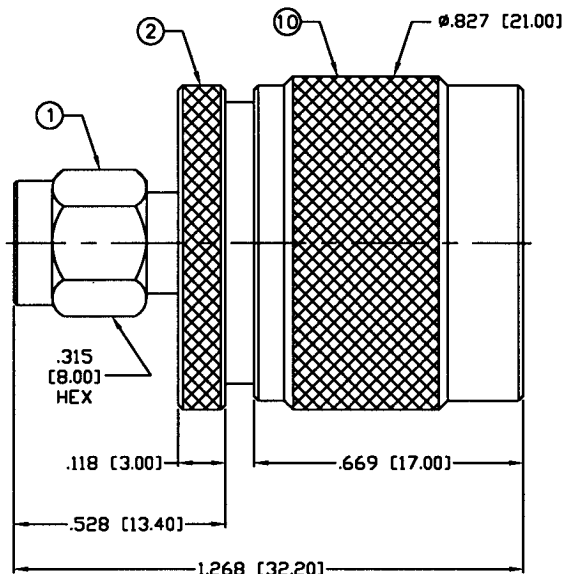
THIS DRAWING CONTAINS INFORMATION PROPRIETARY TO RF INDUSTRIES.
 ANY UNAUTHORIZED USE OF THIS DRAWING IS EXPRESSLY PROHIBITED
 WITHOUT WRITTEN PERMISSION FROM RF INDUSTRIES.
 ANY VIOLATION IS PUNISHABLE UNDER U.S. COPYRIGHT LAWS.

ALL DIMENSIONS ARE REFERENCE ONLY

PART NO.

RSA-3453

REV	DESCRIPTION	DWN	DATE	APPROVED
A	ENGINEERING RELEASE	CZS	10/27/98	R. RICE
B	CHANGE FORMAT, SPECS & DWG # 8973	GGG	5/14/02	JDMc



SPECIFICATIONS:

IMPEDANCE: 50 Ohms
 FREQUENCY RANGE: 0-11 GHz
 WORKING VOLTAGE: 500 V rms Max. @ Sea Level
 INSULATION RESISTANCE: 5k M Ohms min.
 TEMPERATURE RANGE: -65°C TO 85°C

1 SHELL	1	BRASS	NICKEL, 100μ"
2 BODY	1	BRASS	NICKEL, 100μ"
3 INSULATOR	1	PTFE	----
4 PIN	1	BRASS	GOLD, 3μ"
5 GROUND RING	1	BRASS	NICKEL, 100μ"
6 RETAINING RING	1	Be-Cu	----
7 GASKET	1	SILICONE	----
8 RETAINING RING	1	SS	----
9 GASKET	1	SILICONE	----
10 SHELL	1	BRASS	NICKEL, 100μ"

008974	
DRAWN	G. GALLEGOS
CHECKED	<i>[Signature]</i>
ORJ DRAWN	C. ZUNIGA
APPROVALS	DATE
	5/14/02
	5-14-02
	10/27/98

UNLESS OTHERWISE SPECIFIED:
 1. REMOVE ALL BURRS
 2. BREAK ALL CORNERS & EDGES .005 R. MAX.
 3. CHAMFER 1ST & LAST THREADS 45°
 4. SURFACE ROUGHNESS 63 FINISH MIL-STD-10
 5. DIAMETERS ON COMMON CENTERS TO BE CONCENTRIC WITHIN .002 T.I.R.
 6. ALL DIMENSIONS ARE AFTER PLATING.

DIMENSIONS ARE IN INCHES AND [MILLIMETERS]
 UNLESS OTHERWISE NOTED TOLERANCES ARE:

DECIMALS	DIAMETER
.xxx±.003 [.08]	.xxx±.001 [.03]
.xx±.005 [.13]	.xx±.003 [.08]

RF connectors
 DIVISION OF RF INDUSTRIES, LTD.

7610 MIRAMAR RD
 SAN DIEGO, CA 92126
 (858) 549-6340
 (858) 549-6345 FAX

SMA PLUG TO N PLUG ADAPTER			
SIZE	CABLE GROUP	DWG NO.	REV
A	N/A	RSA-3453	B
SCALE: NTS		CAD FILE OUTLINE	SHEET 1 OF 1