

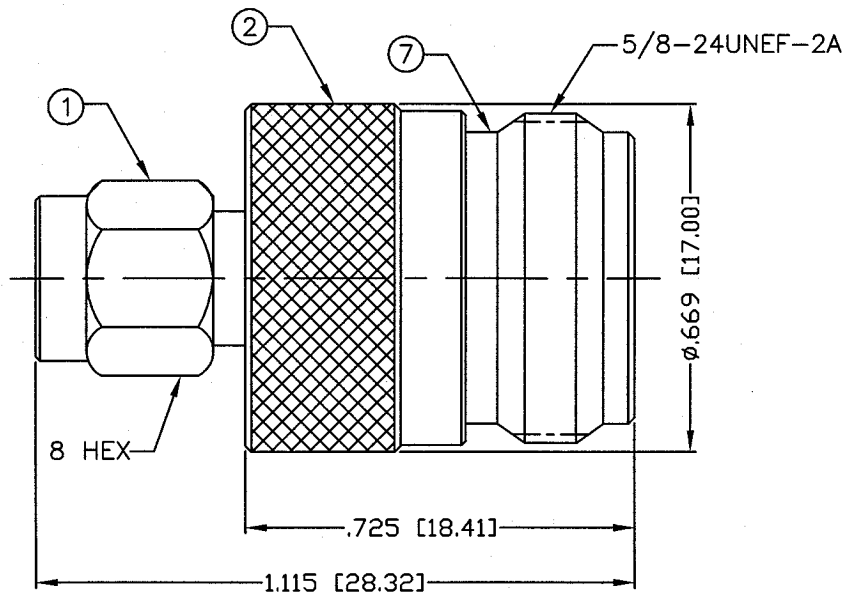
THIS DRAWING CONTAINS INFORMATION PROPRIETARY TO RF INDUSTRIES.
 ANY UNAUTHORIZED USE OF THIS DRAWING IS EXPRESSLY PROHIBITED
 WITHOUT WRITTEN PERMISSION FROM RF INDUSTRIES.
 ANY VIOLATION IS PUNISHABLE UNDER U.S. COPYRIGHT LAWS.

ALL DIMENSIONS ARE REFERENCE ONLY

PART NO.

RSA-3452

| REV | DESCRIPTION | DWN | DATE | APPROVED |
|-----|------------------------------------|-----|----------|----------|
| A | ENGINEERING RELEASE | KMM | 4/08/94 | F. VIERA |
| B | CREATE SECTION DWG. | KMM | 6/6/94 | R. RICE |
| C | CHANGE MATERIALS | KMM | 10/2/96 | R. RICE |
| D | CHANGE FORMAT, SPECS, & DWG # 8717 | GGG | 10/25/01 | JDMc |



SPECIFICATIONS:

IMPEDANCE: 50 Ohms
 FREQUENCY RANGE: 0-11 GHz
 WORKING VOLTAGE: 500 V rms Max. @ Sea Level
 INSULATION RESISTANCE: 5k M Ohms min.
 TEMPERATURE RANGE: -65°C TO 85°C

| | | | | |
|----|----------------|-----|-------------|---------------|
| 1 | SHELL | 1 | BRASS | NICKEL, 100μ" |
| 2 | HOUSING | 1 | BRASS | NICKEL, 100μ" |
| 3 | RETAINING RING | 1 | BeCu | ---- |
| 4 | GASKET | 1 | SILICONE | ---- |
| 5 | PIN | 1 | PHOS BRONZE | GOLD, 3μ" |
| 6 | INSULATOR | 1 | PTFE | ---- |
| 7 | BODY | 1 | BRASS | NICKEL, 100μ" |
| 8 | | | | |
| 9 | | | | |
| 10 | | | | |
| 11 | | | | |
| 12 | | | | |
| 13 | | | | |
| 14 | | | | |
| # | DESCRIPTION | QTY | MATERIAL | FINISH |

009874

UNLESS OTHERWISE SPECIFIED:

1. REMOVE ALL BURRS
2. BREAK ALL CORNERS & EDGES .005 R. MAX.
3. CHAMFER 1ST & LAST THREADS 45°
4. SURFACE ROUGHNESS 63 FINISH MIL-STD-10
5. DIAMETERS ON COMMON CENTERS TO BE CONCENTRIC WITHIN .002 T.I.R.
6. ALL DIMENSIONS ARE AFTER PLATING.

DIMENSIONS ARE IN INCHES AND [MILLIMETERS]

UNLESS OTHERWISE NOTED TOLERANCES ARE:

| DECIMALS | DIAMETER |
|-----------------|-----------------|
| .xxx±.003 [.08] | .xxx±.001 [.03] |
| .xx±.005 [.13] | .xx±.003 [.08] |

DRAWN G. GALLEGOS 10/25/01

CHECKED *[Signature]* 10-25-01

ORJ DRAWN K. MAXWELL 4/8/94

APPROVALS DATE

RFconnectors
 DIVISION OF RF INDUSTRIES, LTD.

7610 MIRAMAR RD
 SAN DIEGO, CA 92126
 (858) 549-6340
 (858) 549-6345 FAX

SMA PLUG TO N JACK

| SIZE | CABLE GROUP | DWG NO. | REV |
|------------|-------------|------------------|--------------|
| A | N/A | RSA-3452 | D |
| SCALE: NTS | | CAD FILE OUTLINE | SHEET 1 OF 1 |