

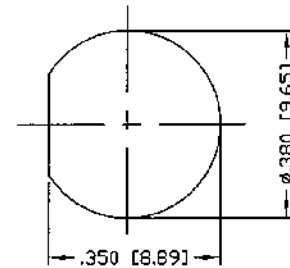
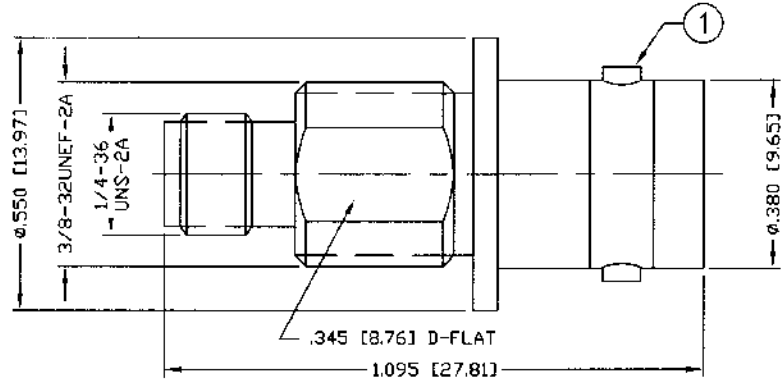
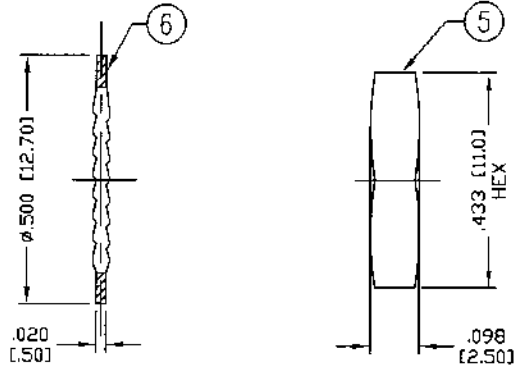
THIS DRAWING CONTAINS INFORMATION PROPRIETARY TO RF INDUSTRIES,
 ANY UNAUTHORIZED USE OF THIS DRAWING IS EXPRESSLY PROHIBITED
 WITHOUT WRITTEN PERMISSION FROM RF INDUSTRIES.
 ANY VIOLATION IS PUNISHABLE UNDER U.S. COPYRIGHT LAWS.

ALL DIMENSIONS ARE REFERENCE ONLY

PART NO.

RSA-3413-3

REV	DESCRIPTION	DWN	DATE	APPROVED
-	ENGINEERING RELEASE	CZS	6/11/01	JDMc



RECOMMENDED MOUNTING CONFIGURATION

SPECIFICATIONS:

IMPEDANCE: 50 Ohms
 FREQUENCY RANGE: 0-4 GHz
 WORKING VOLTAGE: 375 V rms @ sea level
 TEMPERATURE RANGE: -65°C TO 165°C
 INSULATION RESISTANCE: 5k M Ohms min.

1	BODY	1	BRASS	NICKEL, 100μ"	000486	
2	CONTACT	1	Be. Cu.	GOLD, 3μ"		
3	INSULATOR	1	PTFE	----		
4	PRESS WASHER	1	BRASS	NICKEL, 100μ"		
5	HEX NUT	1	BRASS	NICKEL, 100μ"		
6	LOCK WASHER	1	BRASS	NICKEL, 100μ"		
7						
8						
9						
10						
11						
12						
13						
14						
#	DESCRIPTION	QTY	MATERIAL	FINISH	APPROVALS	DATE

DRAWN
 C. ZUNIGA 9/22/04
 CHECKED *[Signature]*
 ORJ DRAWN
 C. ZUNIGA 9/22/04

UNLESS OTHERWISE SPECIFIED:

DIMENSIONS ARE IN INCHES
 AND [MILLIMETERS]
 UNLESS OTHERWISE NOTED
 TOLERANCES ARE:
 DECIMALS DIAMETER

RFconnectors
 DIVISION OF RF INDUSTRIES, LTD.

7610 MIRAMAR RD
 SAN DIEGO, CA 92126
 (858) 549-6340
 (858) 549-6345 FAX

**SMA JACK TO
 BNC JACK BULKHEAD**

SIZE A	CABLE GROUP N/A	DWG NO. RSA-3413-3	REV -
SCALE: NTS		CAD FILE OUTLINE	SHEET 1 OF 1