

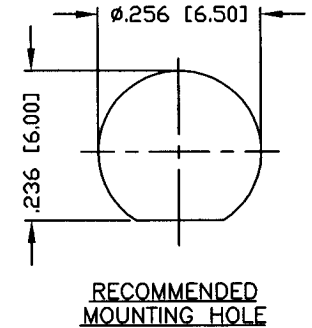
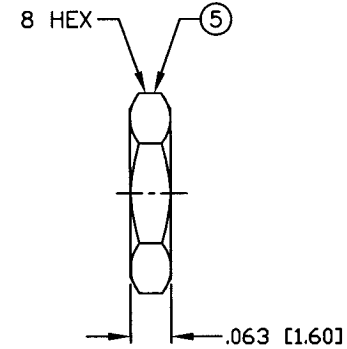
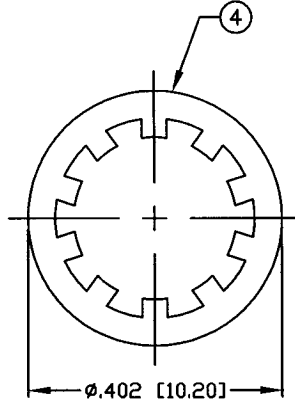
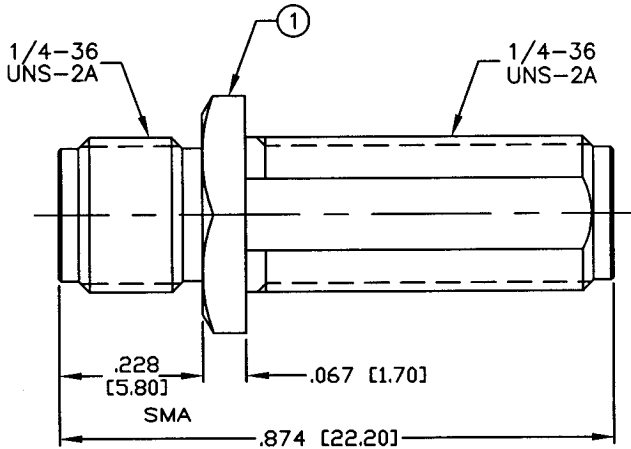
THIS DRAWING CONTAINS INFORMATION PROPRIETARY TO RF INDUSTRIES.  
 ANY UNAUTHORIZED USE OF THIS DRAWING IS EXPRESSLY PROHIBITED  
 WITHOUT WRITTEN PERMISSION FROM RF INDUSTRIES.  
 ANY VIOLATION IS PUNISHABLE UNDER U.S. COPYRIGHT LAWS.

ALL DIMENSIONS ARE REFERENCE ONLY

PART NO.

**RSA-3410**

| REV | DESCRIPTION                               | DWN | DATE    | APPROVED |
|-----|---|-----|---------|----------|
| A   | ENGINEERING RELEASE                       | WMD | 1/5/94  | C. JONES |
| B   | CHANGE PART NO. FROM RSA-2396 TO RSA-2355 | WMD | 1/11/94 | C. JONES |
| C   | CHANGE P/N FROM RSA-3255 TO RSA-3410      | CZS | 2/3/00  | JDMc     |
| D   | CHANGE FORMAT, SPECS & DWG # 8233         | GGG | 1/30/02 | JDMc     |



**SPECIFICATIONS:**

IMPEDANCE: 50 Ohms  
 FREQUENCY RANGE: 0-12.4 GHz  
 WORKING VOLTAGE: 500 V rms Max. @ Sea Level  
 INSULATION RESISTANCE: 5k M Ohms min.  
 TEMPERATURE RANGE: -65°C TO 165°C

|    |             |     |       |                     |           |      |
|----|-------------|-----|-------|---------------------|-----------|------|
| 1  | BODY        | 1   | BRASS | NICKEL, 100 $\mu$ " | 008974    |      |
| 2  | INSULATOR   | 1   | PTFE  | ----                |           |      |
| 3  | CONTACT     | 1   | Be-Cu | GOLD, 50 $\mu$ "    |           |      |
| 4  | LOCK WASHER | 1   | BRASS | NICKEL, 100 $\mu$ " |           |      |
| 5  | HEX NUT     | 1   | BRASS | NICKEL, 100 $\mu$ " |           |      |
| 6  |             |     |       |                     |           |      |
| 7  |             |     |       |                     |           |      |
| 8  |             |     |       |                     |           |      |
| 9  |             |     |       |                     |           |      |
| 10 |             |     |       |                     |           |      |
| 11 |             |     |       |                     |           |      |
| 12 |             |     |       |                     |           |      |
| 13 |             |     |       |                     |           |      |
| 14 |             |     |       |                     |           |      |
| #  | DESCRIPTION | QTY | MATRL | FINISH              | APPROVALS | DATE |

UNLESS OTHERWISE SPECIFIED:

- REMOVE ALL BURRS
- BREAK ALL CORNERS & EDGES .005 R. MAX.
- CHAMFER 1ST & LAST THREADS 45°
- SURFACE ROUGHNESS 63 FINISH MIL-STD-10
- DIAMETERS ON COMMON CENTERS TO BE CONCENTRIC WITHIN .002 T.I.R.
- ALL DIMENSIONS ARE AFTER PLATING.

DIMENSIONS ARE IN INCHES AND [MILLIMETERS]  
 UNLESS OTHERWISE NOTED TOLERANCES ARE:

| DECIMALS        | DIAMETER        |
|-----------------|-----------------|
| .xxx±.003 [.08] | .xxx±.001 [.03] |
| .xx±.005 [.13]  | .xx±.003 [.08]  |

**RF connectors**  
 DIVISION OF RF INDUSTRIES, LTD.

7610 MIRAMAR RD  
 SAN DIEGO, CA 92126  
 (858) 549-6340  
 (858) 549-6345 FAX

**SMA JACK TO JACK**

BULKHEAD ADAPTER

| SIZE       | CABLE GROUP | DWG NO.          | REV          |
|------------|-------------|------------------|--------------|
| A          | N/A         | RSA-3410         | D            |
| SCALE: NTS |             | CAD FILE OUTLINE | SHEET 1 OF 1 |