

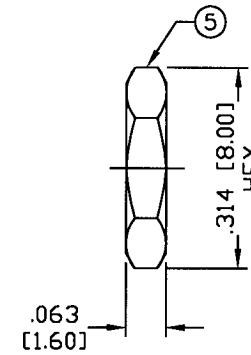
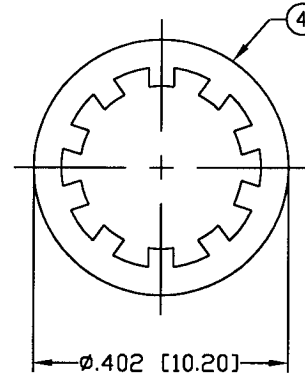
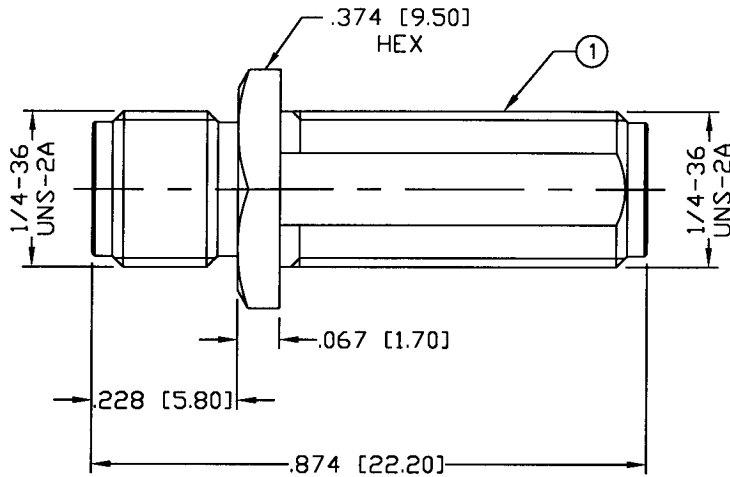
THIS DRAWING CONTAINS INFORMATION PROPRIETARY TO RF INDUSTRIES.  
 ANY UNAUTHORIZED USE OF THIS DRAWING IS EXPRESSLY PROHIBITED  
 WITHOUT WRITTEN PERMISSION FROM RF INDUSTRIES.  
 ANY VIOLATION IS PUNISHABLE UNDER U.S. COPYRIGHT LAWS.

ALL DIMENSIONS ARE REFERENCE ONLY

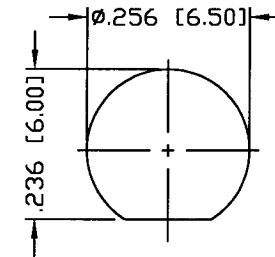
PART NO.

**RSA-3410-1**

REV	DESCRIPTION	DWN	DATE	APPROVED
A	ENGINEERING RELEASE	WMD	1/5/94	R. RICE
B	P/N WAS RSA-3255-1 NOW RSA-3410-1 \ CHG ELEC SPECS	KMM	9/25/96	R. RICE
C	UPDATE CONNECOTR DIMENSIONS, DRAWING FORMAT & SPECS	CZS	2/26/03	JDMc



.251 [6.40] MAX. PANEL THICKNESS



RECOMMENDED MOUNTING CONFIGURATION

**SPECIFICATIONS:**

IMPEDANCE: 50 Ohms  
 FREQUENCY RANGE: 0-12.4 GHz  
 WORKING VOLTAGE: 375 V rms Max. @ Sea Level  
 INSULATION RESISTANCE: 5k M Ohms min.  
 TEMPERATURE RANGE: -65°C TO 165°C

1	BODY	1	BRASS	GOLD, 3μ"	008974	
2	INSULATOR	2	PTFE	---		
3	CONTACT	1	Be.Cu.	GOLD, 50μ"		
4	LOCK WASHER	1	BRASS	GOLD, 3μ"		
5	HEX NUT	1	BRASS	GOLD, 3μ"		
6						
7						
8						
9						
10						
11						
12						
13						
14						
#	DESCRIPTION	QTY	MATERIAL	FINISH	APPROVALS	DATE

UNLESS OTHERWISE SPECIFIED:  
 1. REMOVE ALL BURRS  
 2. BREAK ALL CORNERS & EDGES .005 R. MAX.  
 3. CHAMFER 1ST & LAST THREADS 45°  
 4. SURFACE ROUGHNESS 63 FINISH MIL-STD-10  
 5. DIAMETERS ON COMMON CENTERS TO BE CONCENTRIC WITHIN .002 T.I.R.  
 6. ALL DIMENSIONS ARE AFTER PLATING.

DIMENSIONS ARE IN INCHES AND [MILLIMETERS]  
 UNLESS OTHERWISE NOTED TOLERANCES ARE:  
 DECIMALS      DIAMETER  
 .xxx±.003 [.08]      .xxx±.001 [.03]  
 .xx±.005 [.13]      .xx±.003 [.08]

**RF connectors** DIVISION OF RF INDUSTRIES, LTD.  
 7610 MIRAMAR RD  
 SAN DIEGO, CA 92126  
 (858) 549-6340  
 (858) 549-6345 FAX

**SMA JACK TO JACK BULKHEAD**

SIZE	CABLE GROUP	DWG NO.	REV
A	N/A	RSA-3410-1	C
SCALE: NTS		CAD FILE OUTLINE	SHEET 1 OF 1