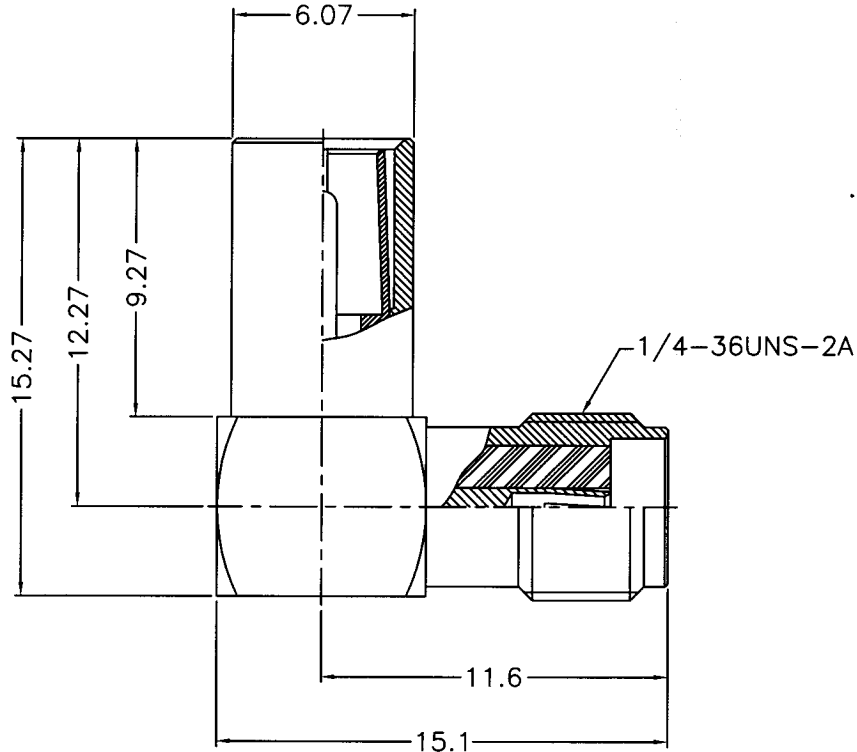


THIS DRAWING CONTAINS INFORMATION PROPRIETARY TO RF INDUSTRIES,  
 ANY UNAUTHORIZED USE OF THIS DRAWING IS EXPRESSLY PROHIBITED  
 WITHOUT WRITTEN PERMISSION FROM RF INDUSTRIES.  
 ANY VIOLATION IS PUNISHABLE UNDER U.S. COPYRIGHT LAWS.

PART NO.		<b>RSA-3407-4-03</b>		
REV	DESCRIPTION	DWN	DATE	APPROVED
-	ENGINEERING RELEASE	JDM	3/12/01	JDMc



**SPECIFICATIONS:**

IMPEDANCE: 50 Ohms

UNLESS OTHERWISE SPECIFIED:

1. REMOVE ALL BURRS
2. BREAK ALL CORNERS & EDGES .005 R. MAX.
3. CHAMFER 1ST & LAST THREADS 45°
4. SURFACE ROUGHNESS 63 FINISH MIL-STD-10
5. DIAMETERS ON COMMON CENTERS TO BE CONCENTRIC WITHIN .002 T.I.R.
6. ALL DIMENSIONS ARE AFTER PLATING.

DIMENSIONS ARE IN INCHES AND [MILLIMETERS]

UNLESS OTHERWISE NOTED TOLERANCES ARE:

DECIMALS	DIAMETER
.xxx±.003 [.08]	.xxx±.001 [.03]
.xx±.005 [.13]	.xx±.003 [.08]



7610 MIRAMAR RD  
 SAN DIEGO, CA 92126  
 (619)549-6340  
 (619)549-6345 FAX

**NOKIA PLUG TO SMA JACK**

RIGHT ANGLE, ADAPTER (DCT-4) (Extended 1.52mm)

1	BODY	1	BRASS	GOLD, 3μ"	008974	
2	BODY	1	Be. Cu.	GOLD, 3μ"		
3	PIN	1	BRASS	GOLD, 50μ"		
4	INSULATOR	1	PTFE	-----		
5	INSULATOR	1	PTFE	-----		
6	SOCKET CONTACT	1	BE.CU.	GOLD, 50μ"		
7	SHELL	1	DELRI (BLACK)	-----		
8	PRESS FIT CAP	1	BRASS	GOLD, 3μ"		
#	DESCRIPTION	QTY	MATERIAL	PLATING	APPROVALS	DATE

DRAWN	D. McREYNOLDS	3/12/01
CHECKED	JDMc	
ORJ DRAWN	D. McREYNOLDS	11/21/00

SIZE	CABLE GROUP	DWG NO.	REV
A	N/A	RSA-3407-4-03	-
SCALE:	3:1	CAD FILE	DETAIL
SHEET			3 OF 3