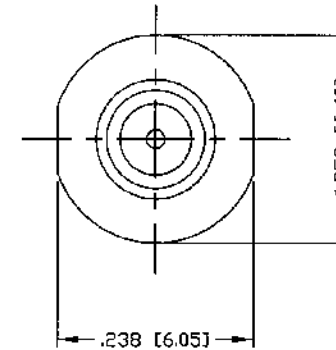
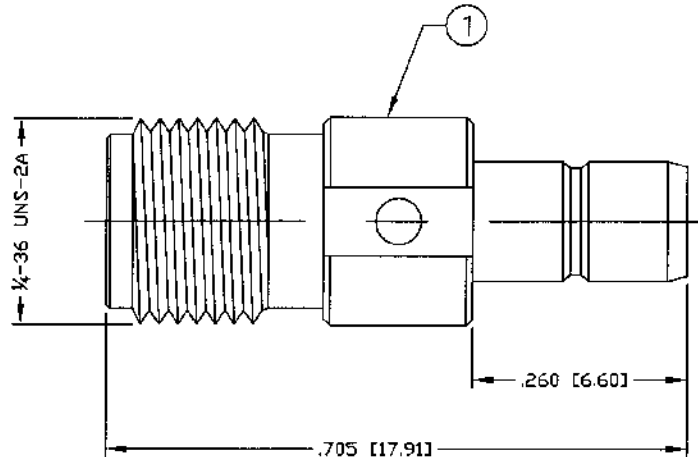


THIS DRAWING CONTAINS INFORMATION PROPRIETARY TO RF INDUSTRIES.
 ANY UNAUTHORIZED USE OF THIS DRAWING IS EXPRESSLY PROHIBITED
 WITHOUT WRITTEN PERMISSION FROM RF INDUSTRIES.
 ANY VIOLATION IS PUNISHABLE UNDER U.S. COPYRIGHT LAWS.

PART NO.

RSA-3406

REV	DESCRIPTION	DWN	DATE	APPROVED
-	ENGINEERING RELEASE	CZS	10/04/00	JDMc



SPECIFICATIONS:

IMPEDANCE: 50 Ohms
 FREQUENCY: 0-4 Ghz
 WORKING VOLTAGE: 335 V rms
 INSULATION RESISTANCE: 5k M Ohms min.
 TEMPERATURE RANGE: -65°C TO 165°C

ALL DIMENSIONS ARE REFERENCE ONLY

1	BODY	1	BRASS	NICKEL, 80 MICRO
2	INSULATOR	1	PTFE	---
3	CONTACT	1	BRASS	GOLD, 50 MICRO
4				
5				
6				
7				
8				
9				
10				
11				
12				
13				
14				

000000	
DRAWN	
C. ZUNIGA	10/04/00
CHECKED	
JDMc	10-4-00
ORJ DRAWN	
C. ZUNIGA	10/04/00
#	DESCRIPTION
QTY	MATRL
FINISH	APPROVALS
DATE	

UNLESS OTHERWISE SPECIFIED:
 1. REMOVE ALL BURRS
 2. BREAK ALL CORNERS & EDGES .005 R. MAX.
 3. CHAMFER 1ST & LAST THREADS 45°
 4. SURFACE ROUGHNESS 63 FINISH MIL-STD-10
 5. DIAMETERS ON COMMON CENTERS TO BE CONCENTRIC WITHIN .002 T.I.R.
 6. ALL DIMENSIONS ARE AFTER PLATING.

DIMENSIONS ARE IN INCHES AND [MILLIMETERS]
 UNLESS OTHERWISE NOTED TOLERANCES ARE:
 DECIMALS DIAMETER
 .XXX±.003 [.08] .XXX±.001 [.03]
 .XX±.005 [.13] .XX±.003 [.08]

7610 MIRAMAR RD
 SAN DIEGO, CA 92126
 (858) 549-6340
 (858) 549-6345 FAX

RFconnectors
 DIVISION OF RF INDUSTRIES, LTD.

SMA JACK TO SMB JACK

SIZE	CABLE GROUP	DWG NO.	REV
A	N/A	RSA-3406	-

SCALE: NTS CAD FILE OUTLINE SHEET 1 OF 1