

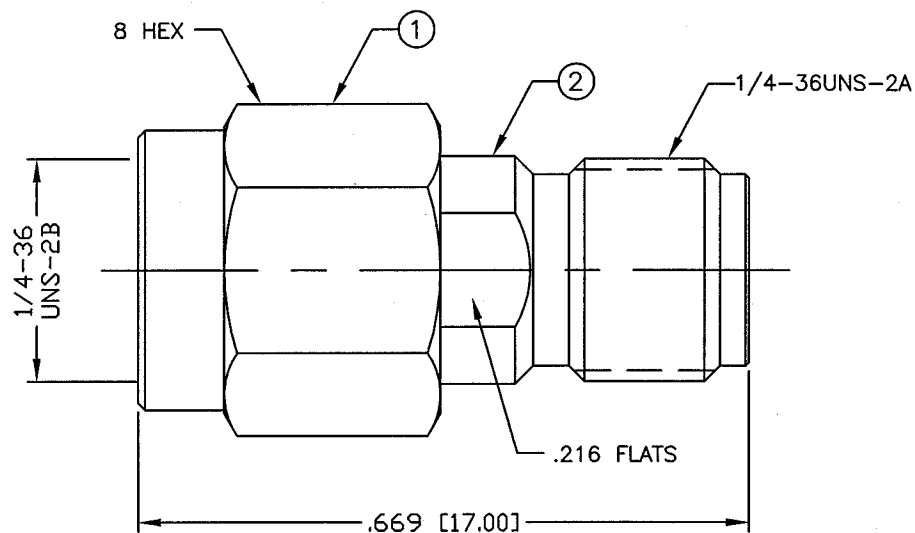
THIS DRAWING CONTAINS INFORMATION PROPRIETARY TO RF INDUSTRIES.  
 ANY UNAUTHORIZED USE OF THIS DRAWING IS EXPRESSLY PROHIBITED  
 WITHOUT WRITTEN PERMISSION FROM RF INDUSTRIES.  
 ANY VIOLATION IS PUNISHABLE UNDER U.S. COPYRIGHT LAWS.

ALL DIMENSIONS ARE REFERENCE ONLY

PART NO.

**RSA-3405**

REV	DESCRIPTION	DWN	DATE	APPROVED
A	ENGINEERING RELEASE	KMM	8/12/93	R. RICE
B	CHANGE PART NUMBER FROM RSA-2384 TO RSA-3405	KMM	9/16/96	R. RICE
C	CHANGE FORMAT, SPECS & DWG # 8186	GGG	10/29/01	JDMc



**SPECIFICATIONS:**

IMPEDANCE: 50 Ohms  
 FREQUENCY RANGE: 0-12.4 GHz  
 WORKING VOLTAGE: 500 V rms Max. @ Sea Level  
 INSULATION RESISTANCE: 5k M Ohms min.  
 TEMPERATURE RANGE: -65°C TO 165°C

1	SHELL	1	BRASS	NICKEL, 100μ"
2	BODY	1	BRASS	NICKEL, 100μ"
3	INSULATOR	1	PTFE	----
4	RETAINING RING	1	BeCu	----
5	GASKET	1	SILICONE	----
6	CONTACT	1	BeCu	GOLD, 50μ"
7				
8				
9				
10				
11				
12				
13				
14				
#	DESCRIPTION	QTY	MATRL	FINISH

008974

UNLESS OTHERWISE SPECIFIED:

1. REMOVE ALL BURRS
2. BREAK ALL CORNERS & EDGES .005 R. MAX.
3. CHAMFER 1ST & LAST THREADS 45°
4. SURFACE ROUGHNESS 63 FINISH MIL-STD-10
5. DIAMETERS ON COMMON CENTERS TO BE CONCENTRIC WITHIN .002 T.I.R.
6. ALL DIMENSIONS ARE AFTER PLATING.

DIMENSIONS ARE IN INCHES  
 AND [MILLIMETERS]

UNLESS OTHERWISE NOTED  
 TOLERANCES ARE:

DECIMALS

.xxx±.003 [.08]

.xx±.005 [.13]

DIAMETER

.xxx±.001 [.03]

.xx±.003 [.08]

DRAWN  
G. GALLEGOS 10/29/01

CHECKED  
JDMc 11-9-01

ORJ DRAWN  
K. MAXWELL 8/12/93

APPROVALS DATE

**RF connectors**  
 DIVISION OF RF INDUSTRIES, LTD.

7610 MIRAMAR RD  
 SAN DIEGO, CA 92126  
 (858) 549-6340  
 (858) 549-6345 FAX

**SMA PLUG  
 TO JACK ADAPTER**

SIZE A	CABLE GROUP N/A	DWG NO. RSA-3405	REV C
SCALE: NTS		CAD FILE OUTLINE	SHEET 1 OF 1