

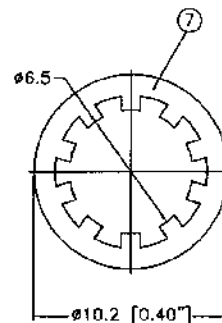
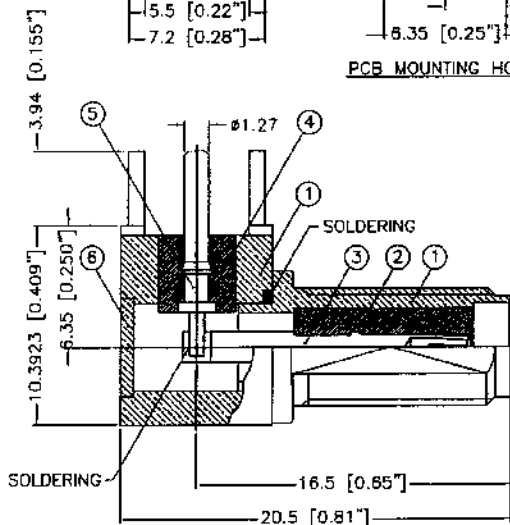
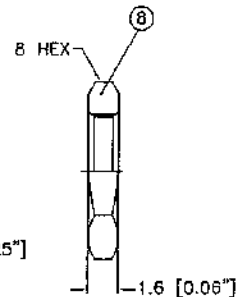
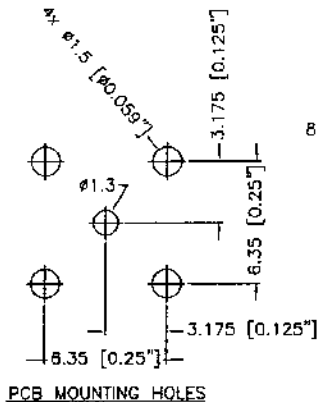
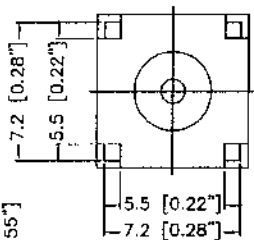
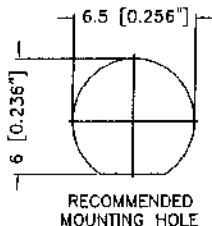
THIS DRAWING CONTAINS INFORMATION PROPRIETARY TO RF INDUSTRIES.
 ANY UNAUTHORIZED USE OF THIS DRAWING IS EXPRESSLY PROHIBITED
 WITHOUT WRITTEN PERMISSION FROM RF INDUSTRIES.
 ANY VIOLATION IS PUNISHABLE UNDER U.S. COPYRIGHT LAWS

ALL DIMENSIONS ARE REFERENCE ONLY

PART NO.

RSA-3300-NL

REV	DESCRIPTION	DWN	DATE	APPROVED
-	ENGINEERING RELEASE	JDM	2/4/03	JDMc



1	BODY	1	BRASS	GOLD, 3μ"
2	INSULATOR	1	PTFE	N/A
3	CONTACT	1	Be.Cu.	GOLD, 50μ"
4	INSULATOR	1	PTFE	N/A
5	PIN	1	BRASS	GOLD, 50μ"
6	END CAP	1	BRASS	GOLD, 3μ"
7	LOCKWASHER	1	BRASS	GOLD, 3μ"
8	HEX NUT	1	BRASS	GOLD, 3μ"
9				

8974			
DRAWN	JDM	2/4/03	
CHECKED	JDM	2/4/03	
DRJ DRAWN	JDM	2/4/03	
APPROVALS			
DATE			

UNLESS OTHERWISE SPECIFIED:

- REMOVE ALL BURRS
- BREAK ALL CORNERS & EDGES .005 R. MAX.
- CHAMFER 1ST & LAST THREADS 45°
- SURFACE ROUGHNESS 63 FINISH MIL-STD-10
- DIAMETERS ON COMMON CENTERS TO BE CONCENTRIC WITHIN .002 T.I.R.
- ALL DIMENSIONS ARE AFTER PLATING.

DIMENSIONS ARE IN INCHES AND [MILLIMETERS]

UNLESS OTHERWISE NOTED TOLERANCES ARE:

DECIMALS	DIAMETER
.XXX±.003 [.08]	.XXX±.001 [.03]
.XX±.005 [.13]	.XX±.003 [.08]

RFconnectors
 DIVISION OF RF INDUSTRIES, LTD.

7610 MIRAMAR RD
 SAN DIEGO, CA 92125
 (858) 549-6340
 (858) 549-6345 FAX

SMA JACK

PCB, RIGHT ANGLE PANEL MOUNT

SIZE	CABLE GROUP	DWG NO.	REV
A	N/A	RSA-3300-NL	-
SCALE:	NTS	CAD FILE	OUTLINE
		SHEET 1 OF 1	