

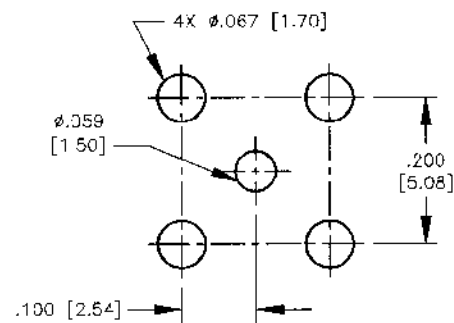
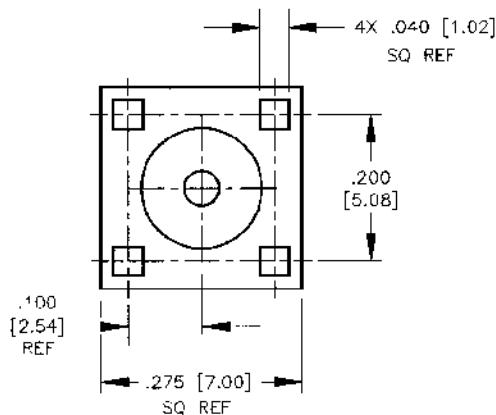
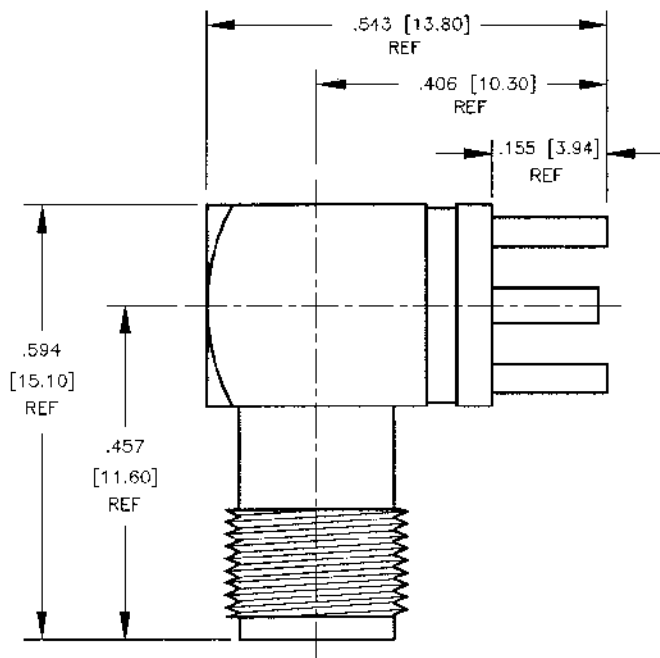
ENVELOPE / ASSEMBLY DRAWING

008074

SPECIFICATION CONTROL DRAWING

THIS DRAWING CONTAINS INFORMATION PROPRIETARY TO RF INDUSTRIES, LTD. ANY UNAUTHORIZED USE OF THIS DRAWING IS EXPRESSLY PROHIBITED. ANY VIOLATION IS PUNISHABLE UNDER U.S. COPYRIGHT LAWS.

REV	DESCRIPTION	DWN	DATE	APPROVED
A	ENGINEERING RELEASE	KMM	9/1/93	K.HARTMANN
B	CHANGE PART NUMBER FROM RSA-2313 TO RSA-3300	WMD	2/20/93	C. JONES
C	CORRECT BODY LENGTH DIM	KMM	9/7/96	R. RICE



SUGGESTED MOUNTING CONFIGURATION

SPECIFICATIONS:

IMPEDANCE: 50 OHMS

ITEM	DESCRIPTION	QTY	MATERIAL	FINISH
5	DIELECTRIC	1	TEFLON	NONE
4	DIELECTRIC	1	TEFLON	NONE
3	CONTACT	1	BeCu	GOLD
2	PRESS FIT BODY	1	BRASS	GOLD
1	BODY	1	BRASS	GOLD

DIMENSIONS ARE IN INCHES AND [MILLIMETERS]

UNLESS OTHERWISE NOTED TOLERANCES ARE:

DECIMALS DIAMETER

DRAWN	K. MAXWELL	9/7/96
CHECKED	<i>J. Zier</i>	9/7/96
CR. DRAWN	K. MAXWELL	9/1/93

APPROVALS DATE

RF connectors
DIVISION OF RF INDUSTRIES, LTD.

7610 MIRAMAR RD
SAN DIEGO, CA 92126
(619)549-6340
(619)549-6345 FAX

RSA-3300-1

SMA FEMALE R/A PCB MOUNT

SIZE	CABLE GROUP	DWG NO.	REV
A	N/A	8201	C

SCALE: 4:1

CAD FILE 13ARC B

SHEET 1 OF 1