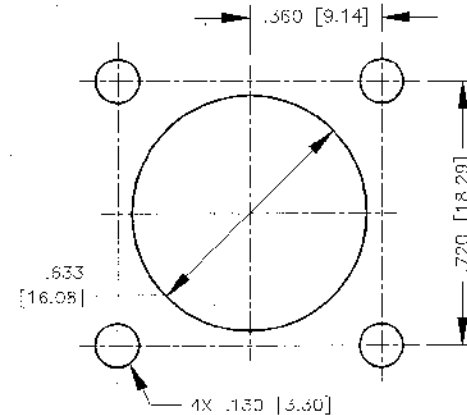
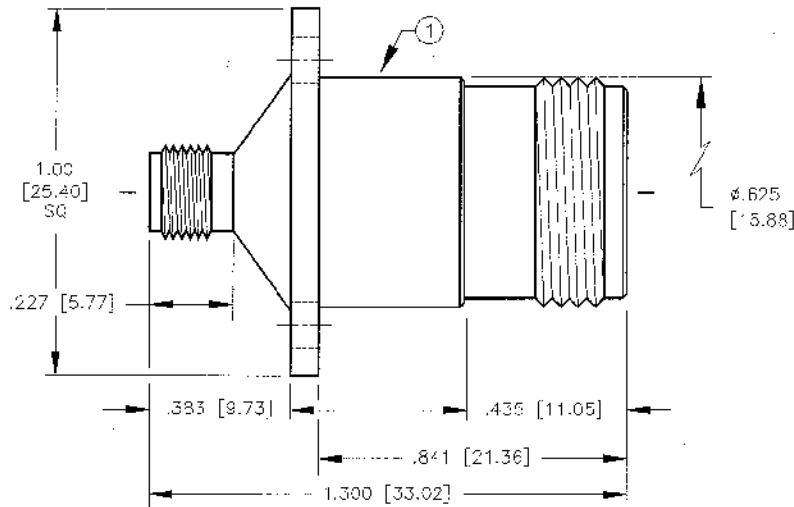


# ENVELOPE / ASSEMBLY DRAWING

000000

SPECIFICATION CONTROL DRAWING		REV	DESCRIPTION	DWN	DATE	APPROVED
THIS DRAWING CONTAINS INFORMATION PROPRIETARY TO RF INDUSTRIES, LTD. ANY UNAUTHORIZED USE OF THIS DRAWING IS EXPRESSLY PROHIBITED. ANY VIOLATION IS PUNISHABLE UNDER U.S. COPYRIGHT LAWS.		A	ENGINEERING RELEASE	KMM	8/16/93	C. JONES
		B	CHANGED PART NO. FROM RSA-2385-SS TO RSA-3290	WMD	1/6/94	C. JONES
		C	CREATE MANUFACTURING DRAWING	KMM	1/12/99	R. RICE

ALL DIMENSIONS ARE REFERENCE ONLY



SUGGESTED MOUNTING CONFIGURATION

## SPECIFICATIONS:

IMPEDANCE: 50 OHMS  
 WORKING VOLTAGE: 355 VRMS @ SEA LEVEL  
 FREQUENCY RANGE: 0-1 GHz  
 INTERFACE PTR MIL-STD-348A, SECTION 310.2 & 304.2

DIMENSIONS ARE IN INCHES AND MILLIMETERS

UNLESS OTHERWISE NOTED TOLERANCES ARE:  
 DECIMALS DIAMETER

**RFconnectors**  
 DIVISION OF RF INDUSTRIES, LTD.

7610 MIRAMAR RD  
 SAN DIEGO, CA 92126  
 (619) 549-8340  
 (619) 549-8345 FAX

## RSA-3290

ADAPTER, SMA-F TO V-F 4 HOLE FLANGE, ST STEEL

ITEM	DESCRIPTION	QTY	MATERIAL	FINISH
4	PRESS FIT GND RING	1	ST STEEL	PASSIVATED
3	DIELECTRIC	1	NYLON	NONE
2	CONTACT	1	BeCu	GOLD
1	BODY	1	ST STEEL	PASSIVATED

DRAWN	K. MAXWELL	1/12/99
CHECKED	<i>[Signature]</i>	1/13/99
DATE DRAWN	K. MAXWELL	8/16/93
APPROVALS		DATE

SIZE	CABLE GROUP	DWG NO.	REV
A	A	8193	C
SCALE	2:1	CAD FILE	13ARC B
			SHEET 1 OF 1