

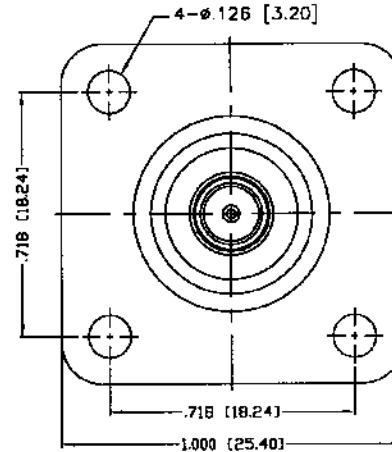
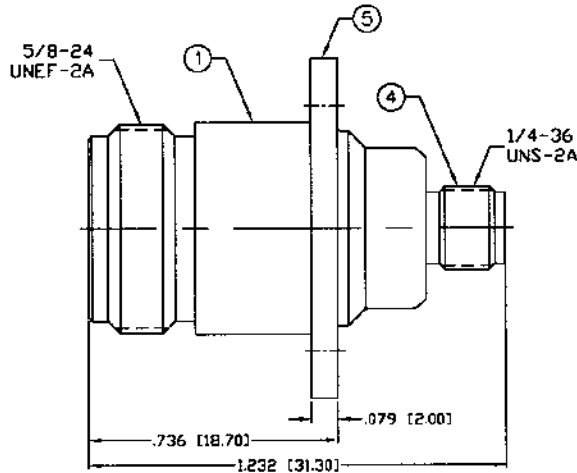
THIS DRAWING CONTAINS INFORMATION PROPRIETARY TO RF INDUSTRIES.  
 ANY UNAUTHORIZED USE OF THIS DRAWING IS EXPRESSLY PROHIBITED  
 WITHOUT WRITTEN PERMISSION FROM RF INDUSTRIES.  
 ANY VIOLATION IS PUNISHABLE UNDER U.S. COPYRIGHT LAWS.

ALL DIMENSIONS ARE REFERENCE ONLY

PART NO.

**RSA-3290-10**

REV	DESCRIPTION	DWN	DATE	APPROVED
-	ENGINEERING RELEASE	GCG	11/24/00	JDMc



**SPECIFICATIONS:**

IMPEDANCE: 50 Ohms  
 FREQUENCY RANGE: 0-11 GHz  
 WORKING VOLTAGE: 1k V rms @ sea level  
 TEMPERATURE RANGE: -65°C TO 165°C  
 INSULATION RESISTANCE: 5k M Ohms min.

1	BODY	1	BRASS	NICKEL, 100μ"
2	INSULATOR	1	PTFE	
3	CONTACT	1	PHOS BRONZE	GOLD, 3μ"
4	SMA BODY	1	BRASS	NICKEL, 100μ"
5	FLANGE	1	BRASS	NICKEL, 100μ"
6				
7				
8				
9				
10				
11				
12				
13				
14				
#	DESC.	QTY	MATERIAL	FINISH

008974	
DRAWN	G. GALLEGOS
CHECKED	JDMc
ORJ DRAWN	G. GALLEGOS
APPROVALS	
DATE	2/22/02

UNLESS OTHERWISE SPECIFIED:  
 1. REMOVE ALL BURRS  
 2. BREAK ALL CORNERS & EDGES .005 R. MAX.  
 3. CHAMFER 1ST & LAST THREADS 45°  
 4. SURFACE ROUGHNESS 63 FINISH MR-STD-10  
 5. DIAMETERS ON COMMON CENTERS TO BE CONCENTRIC WITHIN .002 T.I.R.  
 6. ALL DIMENSIONS ARE AFTER PLATING.

DIMENSIONS ARE IN INCHES AND [MILLIMETERS]  
 UNLESS OTHERWISE NOTED TOLERANCES ARE:

DECIMALS	DIAMETER
.xxx±.003 [.08]	.xxx±.001 [.03]
.xx±.005 [.13]	.xx±.003 [.08]

**RFconnectors**  
 DIVISION OF RF INDUSTRIES, LTD.

7610 MIRAMAR RD  
 SAN DIEGO, CA 92126  
 (858) 549-6340  
 (858) 549-6345 FAX

**N JACK TO SMA JACK**  
 FOUR HOLE FLANGE, ADAPTER

SIZE	CABLE GROUP	DWG NO.	REV
A	N/A	RSA-3290-10	-

SCALE: NTS      CAD FILE OUTLINE      SHEET 1 OF 1