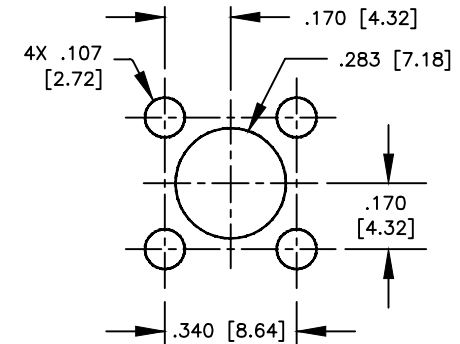
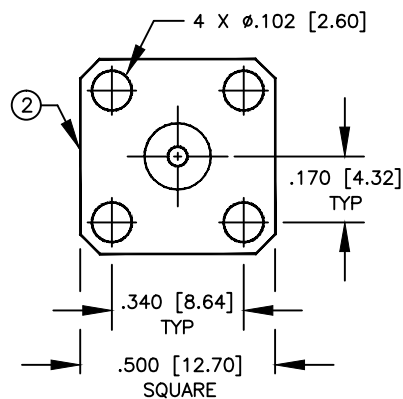
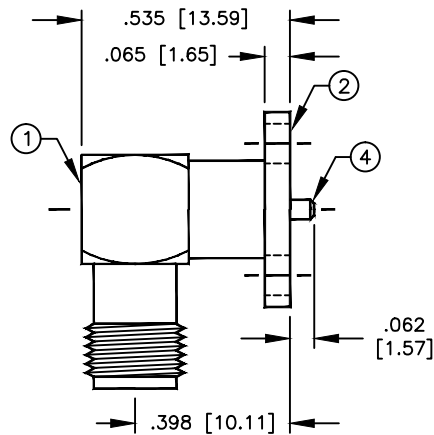


SPECIFICATION CONTROL DRAWING

THIS DRAWING CONTAINS INFORMATION PROPRIETARY TO RF INDUSTRIES, LTD. ANY UNAUTHORIZED USE OF THIS DRAWING IS EXPRESSLY PROHIBITED. ANY VIOLATION IS PUNISHABLE UNDER U.S. COPYRIGHT LAWS.

REV	DESCRIPTION	DWN	DATE	APPROVED
A	ENGINEERING RELEASE	KMM	1/13/98	R. RICE

ALL DIMENSIONS ARE REFERENCE ONLY



SUGGESTED MOUNTING CONFIG

SPECIFICATIONS:

IMPEDANCE: 50 OHMS

ITEM	DESCRIPTION	QTY	MATERIAL	FINISH
7	CAP	1	BRASS	NICKEL
6	DIELECTRIC	1	PTFE	NONE
5	DIELECTRIC	1	PTFE	NONE
4	CONTACT	1	BRASS	GOLD
3	CONTACT	1	BeCu	GOLD
2	FLANGE	1	BRASS	NICKEL
1	BODY	1	BRASS	NICKEL

DIMENSIONS ARE IN INCHES AND [MILLIMETERS]

UNLESS OTHERWISE NOTED TOLERANCES ARE:

DECIMALS DIAMETER

DRAWN
K. MAXWELL 1/13/98

CHECKED

ORJ DRAWN
K. MAXWELL 1/13/98

APPROVALS DATE

RFconnectors
DIVISION OF RF INDUSTRIES, LTD.

7610 MIRAMAR RD
SAN DIEGO, CA 92126
(619)549-6340
(619)549-6345 FAX

RSA-3285-03

SMA FEMALE R/A 4 HOLE FLANGE W/ POST TERMINATION

SIZE	CABLE GROUP	DWG NO.	REV
A	N/A	8850	A

SCALE: 2:1

CAD FILE 13ARC B

SHEET 1 OF 1