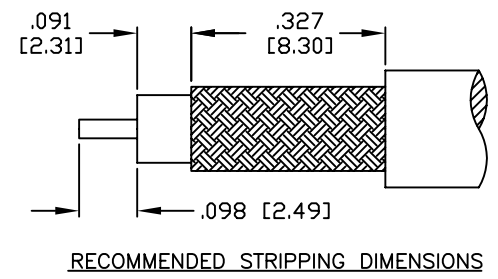
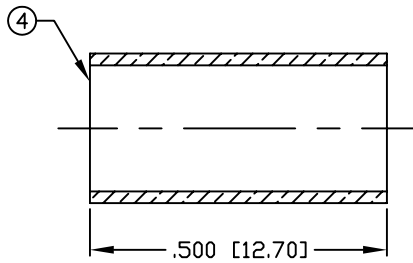
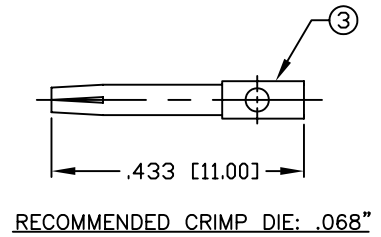
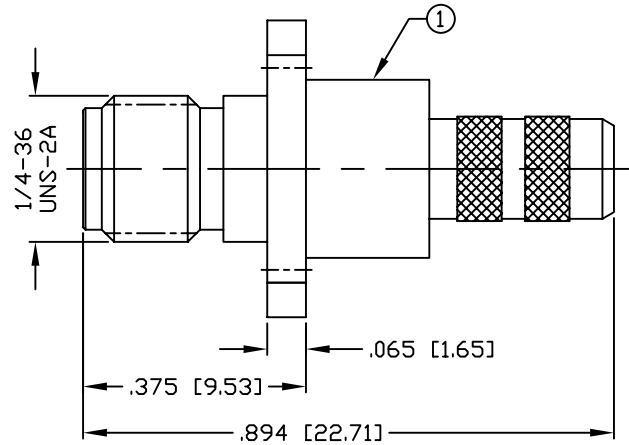
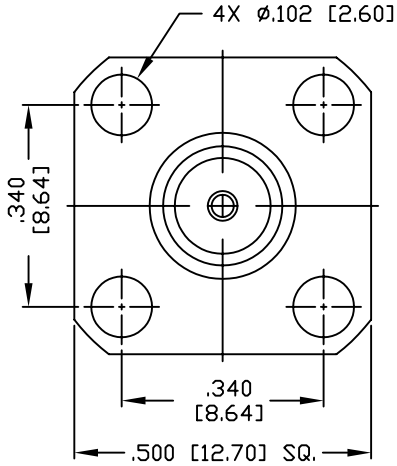


PART NO.		<b>RSA-3270-C</b>		
REV	DESCRIPTION	DWN	DATE	APPROVED
A	ENGINEERING RELEASE	WMD	12/02/93	C. JONES
B	UPDATED DWG. FORMAT & SPECS	CZS	02/20/08	JDMc



**SPECIFICATIONS:**

IMPEDANCE: 50 Ohms  
FREQUENCY RANGE: 0-12.4 GHz  
INSERTION LOSS(dB):  $0.06 \times \sqrt{f(\text{GHz})}$   
WORKING VOLTAGE: 500 V rms Max. @ Sea Level  
INSULATION RESISTANCE: 5k M Ohms min.  
TEMPERATURE RANGE: -65°C TO 165°C  
FOR RG-58, 58A, 58C, 141, 141A, BELDEN 8240, 9907  
8259, 8262, 9201, 9203, 9310, 9311 & COMM/SCOPE 0268

1	BODY	1	BRASS	NICKEL, 100μ"
2	INSULATOR	1	PTFE	---
3	CONTACT	1	BeCu	GOLD, 50μ"
4	FERRULE	1	COPPER	NICKEL, 100μ"
5				
6				
7				
8				
9				
10				
11				
12				
13				
14				
#	DESCRIPTION	QTY	MATERIAL	FINISH

CUSTOMER OUTLINE DRWG	
ALL DIMENSIONS ARE REFERENCE ONLY	
DRAWN	02/20/08
C. ZUNIGA	
CHECKED	
ORJ DRAWN	12/01/93
J. BENZ	
APPROVALS	DATE

**RoHS COMPLIANT**

THIS DRAWING CONTAINS INFORMATION PROPRIETARY TO RF INDUSTRIES. ANY UNAUTHORIZED USE OF THIS DRAWING IS EXPRESSLY PROHIBITED WITHOUT WRITTEN PERMISSION FROM RF INDUSTRIES. ANY VIOLATION IS PUNISHABLE UNDER U.S. COPYRIGHT LAWS.

**RF connectors**  
DIVISION OF RF INDUSTRIES, LTD.

7610 MIRAMAR RD  
SAN DIEGO, CA 92126  
(858) 549-6340  
(858) 549-6345 FAX

**SMA JACK, CRIMP**  
FOUR HOLE FLANGE

SIZE	CABLE GROUP	DWG NO.	REV
A	C	RSA-3270-C	B
SCALE:	NTS	ENGINEERING ID	SHEET 1 OF 1
		008974	