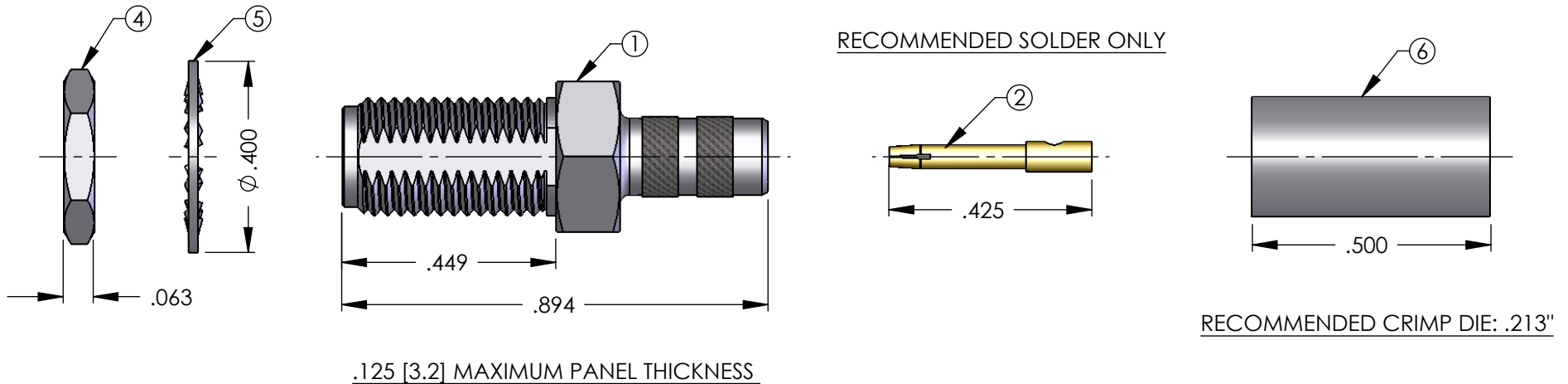
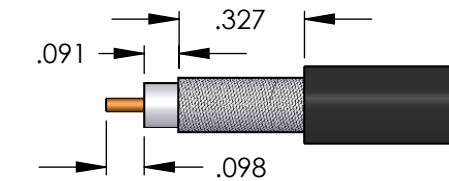
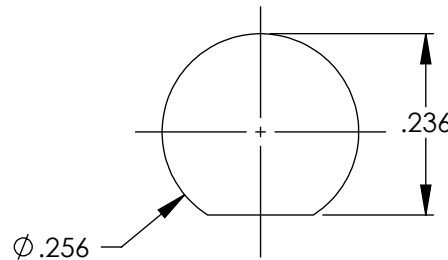


# RSA-3252-C1

REV	DESCRIPTION	DATE	APPR
C	UPDATED DRAWING AND SPECS	03/21/07	JDM



**SPECIFICATIONS:**  
 IMPEDANCE: 50 Ohms  
 FREQUENCY RANGE: 0-12.4 GHz  
 WORKING VOLTAGE: 500 V rms Max. @ Sea Level  
 INSULATION RESISTANCE: 5k M Ohms min.  
 TEMPERATURE RANGE: -65°C TO 165°C  
 FOR RG-55, 55A, 55B, 142, 142A, 142B, 223 & 400/U,  
 ALPHA 9055, 9055B, 9223, BELDEN 8219, 83242, 84142



RECOMMENDED STRIPPING INSTRUCTIONS

NTS

ITEM #	PART NUMBER	QTY.	DESCRIPTION	MATERIAL	FINISH
6	066-C1X-002-BN	1	CRIMP FERRULE	Brass	NICKEL
5	018-30X-000-BN	1	LOCK WASHER	Brass	NICKEL
4	015-30F-000-BN	1	HEX NUT	Brass	NICKEL
3	010-30X-011-TX	1	SMA INSULATOR	PTFE	NONE
2	008-30F-005-CG	1	CONTACT	BeCu	GOLD
1	001-30F-001-BN	1	SMA BODY	Brass	NICKEL

<p><b>ROHS</b> COMPLIANT</p> <p>UNLESS OTHERWISE SPECIFIED: DIMENSIONS ARE IN INCHES</p> <p>ALL DIMENSIONS ARE FOR REFERENCE ONLY</p>	NAME	DATE	<p><b>RF INDUSTRIES</b>                  SAN DIEGO, CA.. 7610 MIRAMAR RD. 92126                  858-549-6340 FAX 858-549-6345</p>	
	DRAWN	C. ZUNIGA		3/26/07
	CHECKED			
	ENG APPR.			
CABLE GROUP		C1	<p>TITLE: <b>SMA JACK, CRIMP BULKHEAD</b></p>	
ID	000000			
<p>PROPRIETARY AND CONFIDENTIAL</p> <p>THE INFORMATION CONTAINED IN THIS DRAWING IS THE SOLE PROPERTY OF RF INDUSTRIES. ANY REPRODUCTION IN PART OR AS A WHOLE WITHOUT THE WRITTEN PERMISSION OF RF INDUSTRIES IS STRICTLY PROHIBITED.</p>			<p>SIZE <b>A</b> DWG. NO. <b>RSA-3252-C1</b> REV <b>C</b></p>	
SCALE: NTS		NOTES:	SHEET 1 OF 1	