

ENVELOPE / ASSEMBLY DRAWING

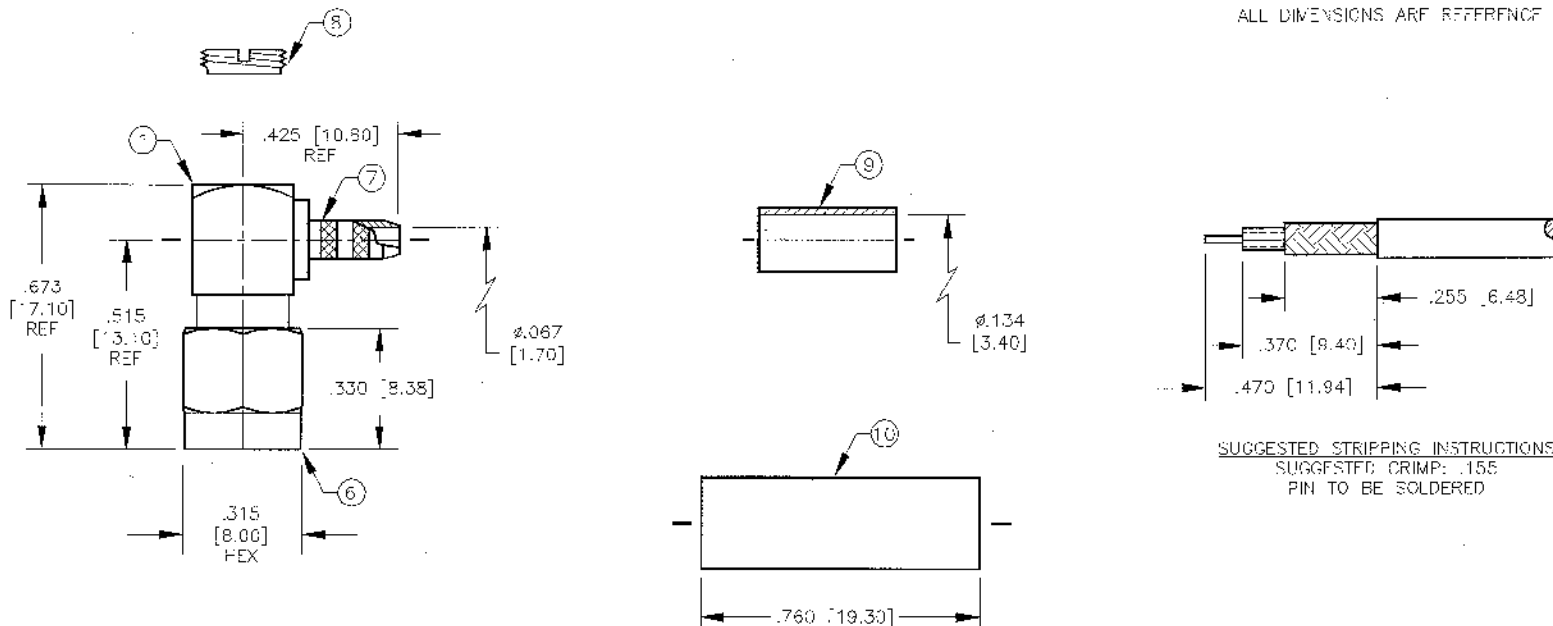
0089/4

SPECIFICATION CONTROL DRAWING

THIS DRAWING CONTAINS INFORMATION PROPRIETARY TO RF INDUSTRIES, LTD. ANY UNAUTHORIZED USE OF THIS DRAWING IS EXPRESSLY PROHIBITED. ANY VIOLATION IS PUNISHABLE UNDER U.S. COPYRIGHT LAWS.

REV	DESCRIPTION	DWN	DATE	APPROVED
A	ENGINEERING RELEASE	KMM	3/7/99	R. ROE

ALL DIMENSIONS ARE REFERENCE ONLY



SUGGESTED STRIPPING INSTRUCTIONS
SUGGESTED CRIMP: .155
PIN TO BE SOLDERED

SPECIFICATIONS:

IMPEDANCE: 50 OHMS
WORKING VOLTAGE: 375V PEAK @ SEA LEVEL
FREQUENCY RANGE: 0-12.4 GHz
INSERTION LOSS: ≤ -2 dB @ 6 GHz
VSWR MAX: 1.3:1 @ 6 GHz
FOR RG-318/J DOUBLE SHIELD CABLE
INTERFACE PER MIL-STD-348A, SECTION 310.1

DIMENSIONS ARE IN INCHES
AND [MILLIMETERS]

UNLESS OTHERWISE NOTED
TO FRANCES ARE

DECIMALS DIAMETER

DRAWN	K. MAXWELL	3/7/99
CHECKED	<i>[Signature]</i>	3/7/99
OR DRAWN	K. MAXWELL	3/7/99
APPROVALS		DATE

RFconnectors
DIVISION OF RF INDUSTRIES, LTD.

7610 M. RAMAR RD
SAN DIEGO, CA 92126
(619) 549-6340
(619) 519-6345 FAX

RSA-3010-B1

SMA MALE RIGHT ANGLE CRIMP

SIZE	CABLE GROUP	DWG NO.	REV
A	B1	9054	A
SCALE: 2:1		CAD FILE 13ARC B	SHEET 1 OF 1

ITEM	DESCRIPTION	QTY	MATERIAL	FINISH
10	TUBING [FJ3-S187-BK]	1	HEAT SHRINK	BLACK
9	FERRULE [FR-44-34X950]	1	*COPPER	*NICKEL
8	END CAP	1	BRASS	NICKEL
7	FERRULE STUD	1	BRASS	NICKEL
6	SHIELD	1	BRASS	NICKEL
5	RETAINING RING	1	BeCu	NONE
4	GASKET	1	SIL RUBBER	RED
3	DIELECTRIC	1	TEFLON	NONE
2	PIN	1	BRASS	GOLD
1	BODY	1	BRASS	NICKEL