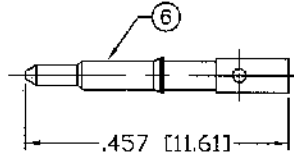
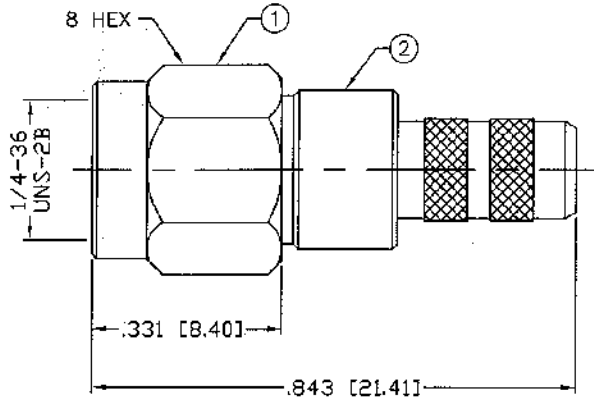


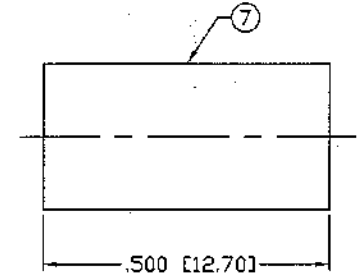
THIS DRAWING CONTAINS INFORMATION PROPRIETARY TO RF INDUSTRIES.  
 ANY UNAUTHORIZED USE OF THIS DRAWING IS EXPRESSLY PROHIBITED  
 WITHOUT WRITTEN PERMISSION FROM RF INDUSTRIES.  
 ANY VIOLATION IS PUNISHABLE UNDER U.S. COPYRIGHT LAWS.

ALL DIMENSIONS ARE REFERENCE ONLY

PART NO.		<b>RSA-3000-C2</b>		
REV	DESCRIPTION	DWN	DATE	APPROVED
-	ENGINEERING RELEASE	CZS	12/19/01	JDMc
A	CHANGE STRIPING DIMENSION	CZS	10/20/01	JDMc



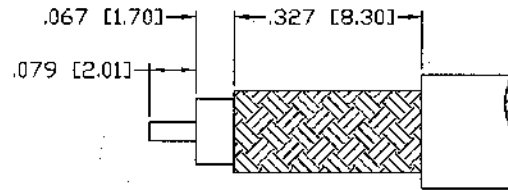
SOLDER OR USE .052 CRIMP DIE



RECOMMENDED CRIMP DIE: .213

**SPECIFICATIONS:**

IMPEDANCE: 50 Ohms  
 FREQUENCY RANGE: 0-12.4 GHz  
 INSERTION LOSS(dB):  $0.03 \times \sqrt{f(\text{GHz})}$   
 VSWR: 1.3 MAX.  
 WORKING VOLTAGE: 500 V rms Max. @ Sea Level  
 INSULATION RESISTANCE: 5k M Ohms min.  
 TEMPERATURE RANGE: -65°C TO 85°C  
 FOR TIMES LMR-200, ALPHA 9848 & MSI-22



RECOMMENDED STRIPING DIMENSIONS


1 SHELL	1 BRASS	NICKEL, 100µ"		
2 BODY	1 BRASS	NICKEL, 100µ"		
3 INSULATOR	1 PTFE	---		
4 RETAINING RING	1 BeCu	---		
5 GASKET	1 SILICONE	---		
6 PIN	1 BRASS	GOLD, 50 µ"		
7 FERRULE	1 BRASS	NICKEL, 100µ"		
8				
9				
10				
11				
12				
13				
14				
#	DESCRIPTION	QTY	MATERIAL	FINISH

008974		
DRAWN	C. ZUNIGA	10/20/01
CHECKED	JDMc	10-21-01
ORJ DRAWN	C. ZUNIGA	10/17/01
APPROVALS	DATE	

UNLESS OTHERWISE SPECIFIED:  
 1. REMOVE ALL BURRS  
 2. BREAK ALL CORNERS & EDGES .005 R. MAX.  
 3. CHAMFER 1ST & LAST THREADS 45°  
 4. SURFACE ROUGHNESS 63 FINISH MIL-STD-10  
 5. DIAMETERS ON COMMON CENTERS TO BE CONCENTRIC WITHIN .002 T.I.R.  
 6. ALL DIMENSIONS ARE AFTER PLATING.

DIMENSIONS ARE IN INCHES AND [MILLIMETERS]  
 UNLESS OTHERWISE NOTED TOLERANCES ARE:  
 DECIMALS      DIAMETER  
 .xxx±.003 [.08]      .xxx±.001 [.03]  
 .xx±.005 [.13]      .xx±.003 [.08]

7610 MIRAMAR RD  
 SAN DIEGO, CA 92126  
 (858) 549-6340  
 (858) 549-6345 FAX



DIVISION OF RF INDUSTRIES, LTD.

## SMA PLUG, CRIMP

SIZE	CABLE GROUP	DWG NO.	REV
A	C2	RSA-3000-C2	A

SCALE: NTS      CAD FILE OUTLINE      SHEET 1 OF 1