

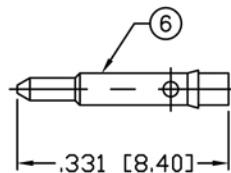
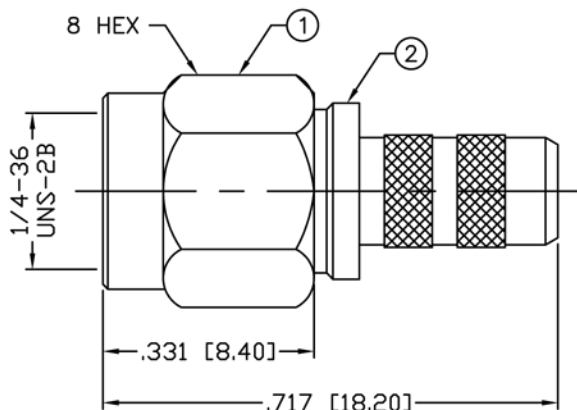
THIS DRAWING CONTAINS INFORMATION PROPRIETARY TO RF INDUSTRIES,  
 ANY UNAUTHORIZED USE OF THIS DRAWING IS EXPRESSLY PROHIBITED  
 WITHOUT WRITTEN PERMISSION FROM RF INDUSTRIES.  
 ANY VIOLATION IS PUNISHABLE UNDER U.S. COPYRIGHT LAWS.

ALL DIMENSIONS ARE REFERENCE ONLY

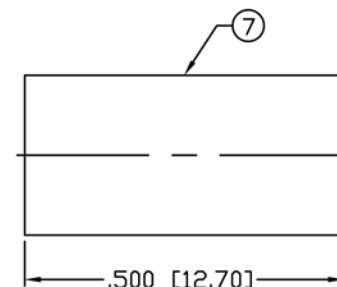
PART NO.

# RSA-3000-C

REV	DESCRIPTION	DWN	DATE	APPROVED
A	ENGINEERING RELEASE	WMD	12/17/93	C. JONES
B	STRIPING DIMENSIONS	KMM	8/21/96	R. RICE
C	CHANGE PIN DESIGN, SPECS, FORMAT & DWG. # 8267	CZS	8/24/01	JDMc
D	CHANGED CENTER CONDUCTOR STRIP DIM.	JDM	3/14/08	JDMc



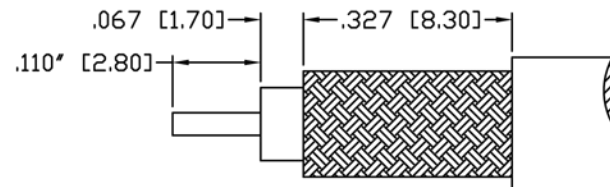
SOLDER PIN



RECOMMENDED CRIMP SIZE: .213

## SPECIFICATIONS:

IMPEDANCE: 50 Ohms  
 FREQUENCY RANGE: 0-12.4 GHz  
 VSWR: 1.3 Max.  
 INSERTION LOSS (dB):  $0.03 \times \sqrt{f(\text{GHz})}$  Max.  
 INSULATION RESISTANCE: 5000 Megohms Minimum  
 TEMPERATURE RANGE: -65°C TO 165°C  
 FOR RG-58, 58A, 58C, 141, 141A, BELDEN 8240,  
 8262, 9201, 9203, 9310, 9311 & COMM/SCOPE 0268



RECOMMENDED STRIPPING DIM'S

1	SHELL	1	BRASS	NICKEL, 100 $\mu$ "	008974	
2	BODY	1	BRASS	NICKEL, 100 $\mu$ "		
3	INSULATOR	1	PTFE	----		
4	RETAINING RING	1	Be.Cu.	----		
5	GASKET	1	SILICONE	----		
6	PIN	1	BRASS	GOLD, 50 $\mu$ "		
7	FERRULE	1	BRASS	NICKEL, 100 $\mu$ "		
8						
9						
10						
11						
12						
13						
14						
#	DESCRIPTION	QTY	MATERIAL	FINISH	APPROVALS	DATE

UNLESS OTHERWISE SPECIFIED:

- REMOVE ALL BURRS
- BREAK ALL CORNERS & EDGES .005 R. MAX.
- CHAMFER 1ST & LAST THREADS 45°
- SURFACE ROUGHNESS 63 FINISH MIL-STD-10
- DIAMETERS ON COMMON CENTERS TO BE CONCENTRIC WITHIN .002 T.I.R.
- ALL DIMENSIONS ARE AFTER PLATING.

DIMENSIONS ARE IN INCHES AND [MILLIMETERS]  
 UNLESS OTHERWISE NOTED TOLERANCES ARE:

DECIMALS	DIAMETER
.xxx±.003 [.08]	.xxx±.001 [.03]
.xx±.005 [.13]	.xx±.003 [.08]



7610 MIRAMAR RD  
 SAN DIEGO, CA 92126  
 (858) 549-6340  
 (858) 549-6345 FAX

DIVISION OF RF INDUSTRIES, LTD.

SMA PLUG, CRIMP			
SIZE	CABLE GROUP	DWG NO.	REV
A	C	RSA-3000-C	D
SCALE: NTS		CAD FILE OUTLINE	SHEET 1 OF 1