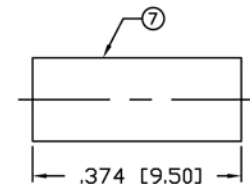
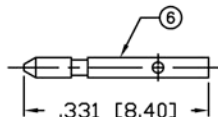
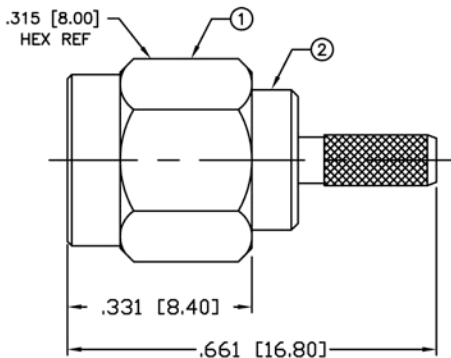


THIS DRAWING CONTAINS INFORMATION PROPRIETARY TO RF INDUSTRIES,
 ANY UNAUTHORIZED USE OF THIS DRAWING IS EXPRESSLY PROHIBITED
 WITHOUT WRITTEN PERMISSION FROM RF INDUSTRIES.
 ANY VIOLATION IS PUNISHABLE UNDER U.S. COPYRIGHT LAWS.

ALL DIMENSIONS ARE REFERENCE ONLY

PART NO. RSA-3000-B1				
REV	DESCRIPTION	DWN	DATE	APPROVED
-	ENGINEERING RELEASE	KM	4/18/01	R. RICE

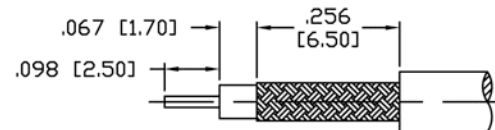
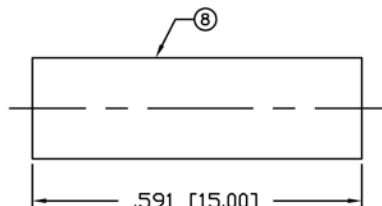


RECOMMEND SOLDER
OPTIONAL CRIMPING W/ RFA-4089

USE HEX CRIMP DIE: .130

SPECIFICATIONS:

IMPEDANCE: 50 Ohms
 FREQUENCY RANGE: 0-12.4 GHz
 INSERTION LOSS(dB): $0.03 \times \sqrt{f(\text{GHz})}$
 WORKING VOLTAGE: 500 V rms Max. @ Sea Level
 INSULATION RESISTANCE: 5k M Ohms min.
 TEMPERATURE RANGE: -65°C TO 165°C
 FOR RG-316DS Double Shield, BELDEN 83269



RECOMMENDED STRIPPING DIM'S

1 SHELL	1	BRASS	NICKEL, 100μ"	008974	DRAWN JDMc CHECKED	4/18/01
2 BODY	1	BRASS	NICKEL, 100μ"			
3 INSULATOR	1	TEFLON	----			
4 RETAINING RING	1	BeCu	----			
5 GASKET	1	SILICONE	----			
6 PIN	1	BRASS	GOLD, 50μ"			
7 FERRULE	1	BRASS	NICKEL, 100μ"			
8 TUBING	1	HEAT SHRINK	----			
9						
10						
11						
12						
13					ORJ DRAWN	
14					K. MAXWELL	3/21/95
#	DESCRIPTION	QTY	MATERIAL	FINISH	APPROVALS	DATE

UNLESS OTHERWISE SPECIFIED:
 1. REMOVE ALL BURRS
 2. BREAK ALL CORNERS & EDGES .005 R. MAX.
 3. CHAMFER 1ST & LAST THREADS 45°
 4. SURFACE ROUGHNESS 63 FINISH MIL-STD-10
 5. DIAMETERS ON COMMON CENTERS TO BE CONCENTRIC WITHIN .002 T.I.R.
 6. ALL DIMENSIONS ARE AFTER PLATING.

DIMENSIONS ARE IN INCHES AND [MILLIMETERS]
 UNLESS OTHERWISE NOTED TOLERANCES ARE:
 DECIMALS DIAMETER
 .XXX±.003 [.08] .XXX±.001 [.03]
 .XX±.005 [.13] .XX±.003 [.08]

RF connectors
 DIVISION OF RF INDUSTRIES, LTD.

7610 MIRAMAR RD
 SAN DIEGO, CA 92126
 (858) 549-6340
 (858) 549-6345 FAX

SMA MALE, CRIMP			
SIZE A	CABLE GROUP B1	DWG NO. RSA-3000-B1	REV -
SCALE: NTS		CAD FILE OUTLINE	SHEET 1 OF 1