

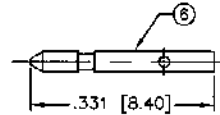
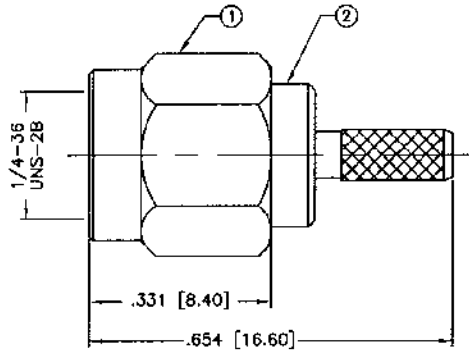
THIS DRAWING CONTAINS INFORMATION PROPRIETARY TO RF INDUSTRIES.  
 ANY UNAUTHORIZED USE OF THIS DRAWING IS EXPRESSLY PROHIBITED  
 WITHOUT WRITTEN PERMISSION FROM RF INDUSTRIES.  
 ANY VIOLATION IS PUNISHABLE UNDER U.S. COPYRIGHT LAWS.

ALL DIMENSIONS ARE REFERENCE ONLY

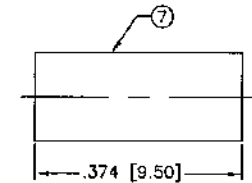
PART NO.

**RSA-3000-1B1**

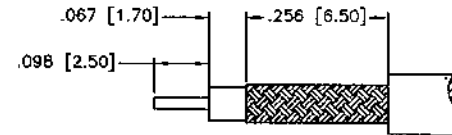
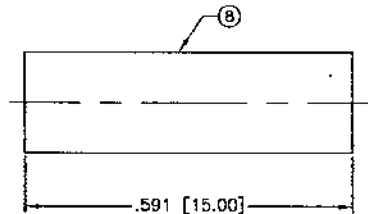
| REV | DESCRIPTION  | DWN | DATE    | APPROVED |
|-----|--|-----|---------|----------|
| A   | ENGINEERING RELEASE                                  | CZS | 9/9/99  | R. RICE  |
| B   | CHG. PIN, FER. STUD, DWG. FORMAT, SPECS & DWG.# 9196 | CZS | 8/16/01 | JDMc     |
|     |  |     |         |          |
|     |  |     |         |          |



CONTACT PIN TO BE SOLDER  
 IF CRIMPING USE  
 RFA-4089 CRIMP TOOL



RECOMMENDED CRIMP DIE: .130



RECOMMENDED STRIPPING DIM'S

**SPECIFICATIONS:**

IMPEDANCE: 50 Ohms  
 FREQUENCY RANGE: 0-12.4 GHz  
 INSERTION LOSS(dB):  $0.03 \times \sqrt{f(\text{GHz})}$   
 VSWR: 1.3 MAX.  
 WORKING VOLTAGE: 500 V rms Max. @ Sea Level  
 INSULATION RESISTANCE: 5k M Ohms min.  
 TEMPERATURE RANGE: -65°C TO 165°C  
 (B1) RG-316/U DOUBLE SHIELD CABLE

|    |                |   |             |               |
|----|----------------|---|-------------|---------------|
| 1  | SHELL          | 1 | BRASS       | GOLD, $3\mu$  |
| 2  | BODY           | 1 | BRASS       | GOLD, $3\mu$  |
| 3  | INSULATOR      | 1 | PTFE        | ---           |
| 4  | RETAINING RING | 1 | BeCu        | ---           |
| 5  | GASKET         | 1 | SILICONE    | ---           |
| 6  | PIN            | 1 | BRASS       | GOLD, $50\mu$ |
| 7  | FERRULE        | 1 | BRASS       | GOLD, $3\mu$  |
| 8  | TUBING         | 1 | HEAT SHRINK | ---           |
| 9  |                |   |             |               |
| 10 |                |   |             |               |
| 11 |                |   |             |               |
| 12 |                |   |             |               |
| 13 |                |   |             |               |
| 14 |                |   |             |               |

008974

UNLESS OTHERWISE SPECIFIED:

- REMOVE ALL BURRS
- BREAK ALL CORNERS & EDGES .005 R. MAX.
- CHAMFER 1ST & LAST THREADS 45°
- SURFACE ROUGHNESS 63 FINISH MIL-STD-10
- DIAMETERS ON COMMON CENTERS TO BE CONCENTRIC WITHIN .002 T.I.R.
- ALL DIMENSIONS ARE AFTER PLATING.

DIMENSIONS ARE IN INCHES  
 AND [MILLIMETERS]

UNLESS OTHERWISE NOTED  
 TOLERANCES ARE:

| DECIMALS        | DIAMETER        |
|-----------------|-----------------|
| .XXX±.003 [.08] | .XXX±.001 [.03] |
| .XX±.005 [.13]  | .XX±.003 [.08]  |

|           |         |
|-----------|---------|
| DRAWN     | 8/16/01 |
| C. ZUNIGA |         |
| CHECKED   |         |
| ORJ DRAWN |         |
| C. ZUNIGA | 9/9/99  |

**RFconnectors**  
 DIVISION OF RF INDUSTRIES, LTD.

7610 MIRAMAR RD  
 SAN DIEGO, CA 92126  
 (858) 549-6340  
 (858) 549-6345 FAX

**SMA PLUG, CRIMP**

|        |             |              |              |
|--------|-------------|--------------|--------------|
| SIZE   | CABLE GROUP | DWG NO.      | REV          |
| A      | B1          | RSA-3000-1B1 | B            |
| SCALE: | NTS         | CAD FILE     | OUTLINE      |
|        |             |              | SHEET 1 OF 1 |