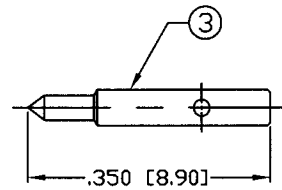
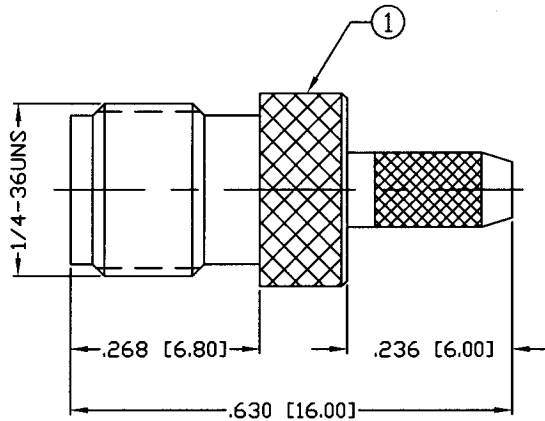


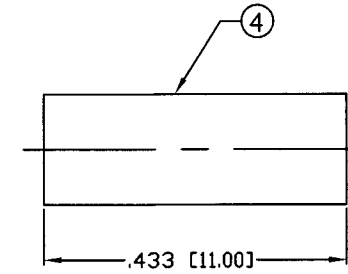
THIS DRAWING CONTAINS INFORMATION PROPRIETARY TO RF INDUSTRIES.  
 ANY UNAUTHORIZED USE OF THIS DRAWING IS EXPRESSLY PROHIBITED  
 WITHOUT WRITTEN PERMISSION FROM RF INDUSTRIES.  
 ANY VIOLATION IS PUNISHABLE UNDER U.S. COPYRIGHT LAWS.

ALL DIMENSIONS ARE REFERENCE ONLY

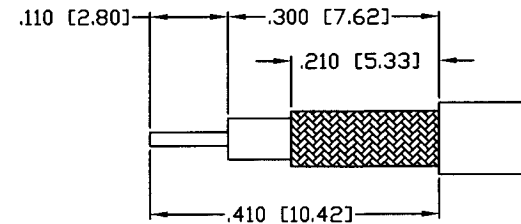
PART NO.		<b>RP-3050-1B</b>		
REV	DESCRIPTION	DWN	DATE	APPROVED
-	ENGINEERING RELEASE	CZS	11/6/00	JDMc
A	UPDATE DRAWING	GGG	4/24/02	CZS



PIN TO BE SOLDERED



RECOMMENDED CRIMP DIE: .130"



RECOMMENDED STRIPPING DIMENSION'S

**SPECIFICATIONS:**

IMPEDANCE: 50 Ohms  
 FREQUENCY RANGE: 0-12.4 GHz  
 INSERTION LOSS(dB):  $0.03 \times \sqrt{f(\text{GHz})}$   
 VSWR: 1.3 MAX.  
 WORKING VOLTAGE: 500 V rms Max. @ Sea Level  
 INSULATION RESISTANCE: 5k M Ohms min.  
 TEMPERATURE RANGE: -65°C TO 165°C  
 FOR RG-174, 188, 188A, 316/U, ALPHA 9174, 9316, BELDEN 8216,  
 83269, 83284, 84316 & TIMES LMR-100A CABLE

1	BODY	1	BRASS	GOLD, 5 $\mu$ "	007777	
2	INSULATOR	1	PTFE	---		
3	CONTACT	1	BRASS	GOLD, 50 $\mu$ "		
4	FERRULE	1	BRASS	GOLD, 5 $\mu$ "		
5						
6						
7						
8						
9						
10						
11						
12						
13						
14						
#	DESCRIPTION	QTY	MATRL	FINISH	APPROVALS	DATE

UNLESS OTHERWISE SPECIFIED:

- REMOVE ALL BURRS
- BREAK ALL CORNERS & EDGES .005 R. MAX.
- CHAMFER 1ST & LAST THREADS 45°
- SURFACE ROUGHNESS 63 FINISH MIL-STD-10
- DIAMETERS ON COMMON CENTERS TO BE CONCENTRIC WITHIN .002 T.I.R.
- ALL DIMENSIONS ARE AFTER PLATING.

DIMENSIONS ARE IN INCHES AND [MILLIMETERS]  
 UNLESS OTHERWISE NOTED TOLERANCES ARE:

DECIMALS	DIAMETER
.xxx±.003 [.08]	.xxx±.001 [.03]
.xx±.005 [.13]	.xx±.003 [.08]

RF

7610 MIRAMAR RD  
 SAN DIEGO, CA 92126  
 (858) 549-6340  
 (858) 549-6345 FAX

DIVISION OF RF INDUSTRIES, LTD.

## SMA JACK, CRIMP

REVERSE POLARITY

SIZE A	CABLE GROUP B	DWG NO. RP-3050-1B	REV A
-----------	------------------	-----------------------	----------

SCALE: NTS      CAD FILE OUTLINE      SHEET 1 OF 1

DRAWN JDM 4/24/02  
 CHECKED JDM 4/24/02  
 ORJ DRAWN C. ZUNIGA 11/6/00