

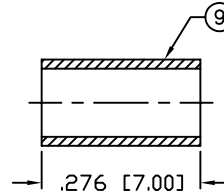
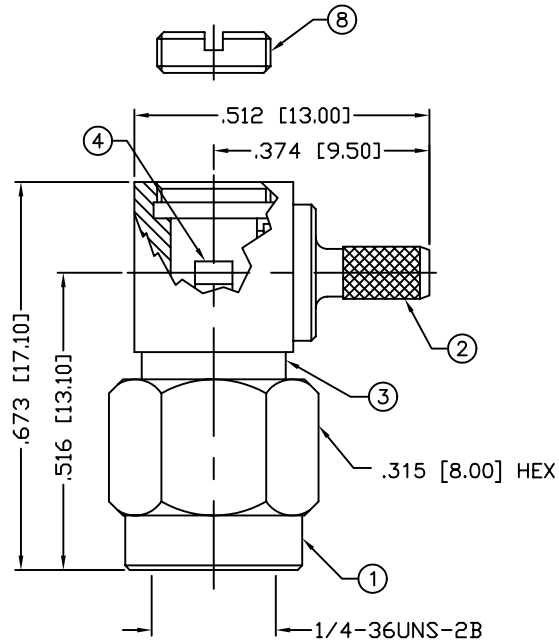
THIS DRAWING CONTAINS INFORMATION PROPRIETARY TO RF INDUSTRIES.
 ANY UNAUTHORIZED USE OF THIS DRAWING IS EXPRESSLY PROHIBITED
 WITHOUT WRITTEN PERMISSION FROM RF INDUSTRIES.
 ANY VIOLATION IS PUNISHABLE UNDER U.S. COPYRIGHT LAWS.

PART NO.

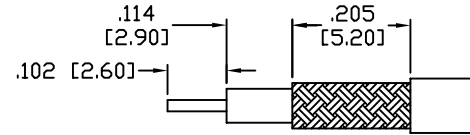
RP-3010-1B

REV	DESCRIPTION	DWN	DATE	APPROVED
-	ENGINEERING RELEASE	GGG	3/7/02	JDMc
A	CHANGE CONNECTOR DESIGN FROM 7777 TO 8974	CZS	4/24/06	JDMc

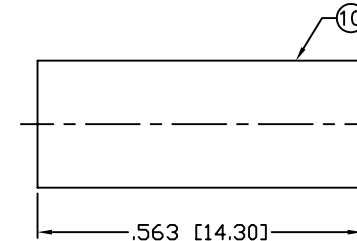
ALL DIMENSIONS ARE REFERENCE ONLY



RECOMMENDED CRIMP DIE: .130"



RECOMMENDED STRIPPING DIMENSIONS



NOTE: ATTACH CABLE TO CONNECTOR BY SOLDERING
 THE CABLE INNER CONDUCTOR TO THE
 CONTACT SLOT INSIDE THE CONNECTOR

SPECIFICATIONS:

IMPEDANCE: 50 Ohms
 FREQUENCY RANGE: 0-12.4 GHz
 INSERTION LOSS(dB): $0.07 \times \sqrt{f(\text{GHz})}$
 VSWR: 1.3 MAX.
 WORKING VOLTAGE: 375 V rms Max. @ Sea Level
 INSULATION RESISTANCE: 5k M Ohms min.
 TEMPERATURE RANGE: -65°C TO 85°C
 FOR RG-174, 188, 188A, 316/U, ALPHA 9174, 9316,
 BELDEN 8216, 83269, 83284, 84316 & TIMES LMR-100A CABLE

1	SHELL	1	BRASS	GOLD, 3 μ"	008974	UNLESS OTHERWISE SPECIFIED:
2	BODY	1	BRASS	GOLD, 3 μ"		
3	PRESS BODY	1	BRASS	GOLD, 3 μ"		
4	INSULATOR	1	PTFE	----		
5	CONTACT	1	Be. Cu.	GOLD, 50 μ"		
6	RETAINING RING	1	Be. Cu.	----		
7	GASKET	1	SILICONE	----		
8	SCREW CAP	1	BRASS	GOLD, 3 μ"		
9	FERRULE	1	COPPER	GOLD, 3 μ"		
10	TUBING	1	HEAT SHRINK	----		
11					DRAWN	
12					C. ZUNIGA	4/24/06
13					CHECKED	
14					ORJ DRAWN	
					JDMc	8/23/99
#	DESCRIPTION	QTY	MATERIAL	FINISH	APPROVALS	DATE

DIMENSIONS ARE IN INCHES
 AND [MILLIMETERS]
 UNLESS OTHERWISE NOTED
 TOLERANCES ARE:

DECIMALS	DIAMETER
----------	----------

RF

7610 MIRAMAR RD
 SAN DIEGO, CA 92126
 (858) 549-6340
 (858) 549-6345 FAX

DIVISION OF RF INDUSTRIES, LTD.

SMA PLUG, CRIMP

REVERSE POLARITY, RIGHT ANGLE

SIZE A	CABLE GROUP B	DWG NO. RP-3010-1B	REV A
------------------	-------------------------	------------------------------	-----------------

SCALE: NTS
CAD FILE OUTLINE
SHEET 1 OF 1