

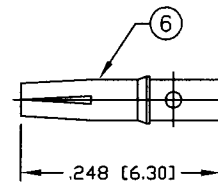
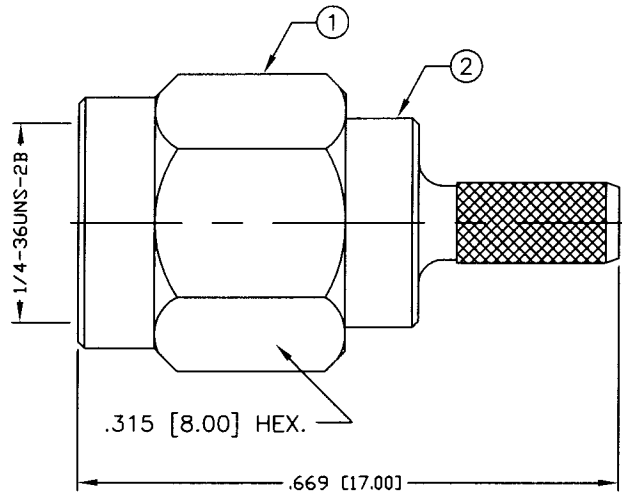
THIS DRAWING CONTAINS INFORMATION PROPRIETARY TO RF INDUSTRIES.
 ANY UNAUTHORIZED USE OF THIS DRAWING IS EXPRESSLY PROHIBITED
 WITHOUT WRITTEN PERMISSION FROM RF INDUSTRIES.
 ANY VIOLATION IS PUNISHABLE UNDER U.S. COPYRIGHT LAWS.

ALL DIMENSIONS ARE REFERENCE ONLY

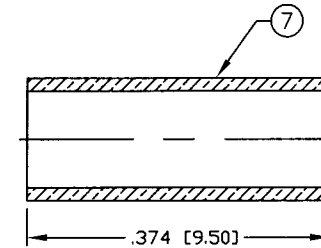
PART NO.

RP-3000-B

REV	DESCRIPTION	DWN	DATE	APPROVED
-	ENGINEERING RELEASE	JDM	6/12/00	JDMc
A	ADDED ELECTRICAL SPECS	JDM	3/22/02	JDMc
B	CHG ITEM #7, #8 & STRIPPING DIMENSIONS / UPDATE SPECS	CZS	4/25/03	JDMc



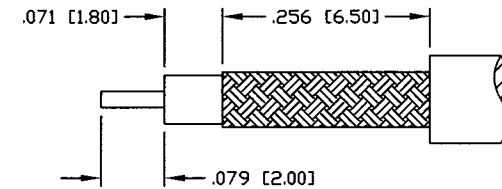
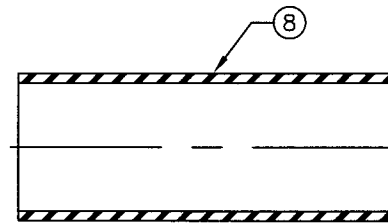
PIN TO BE SOLDERED



RECOMMENDED CRIMP DIE: .130"

SPECIFICATIONS:

IMPEDANCE: 50 Ohms
 FREQUENCY RANGE: 0-12.4 GHz
 INSERTION LOSS(dB): $0.03 \times \sqrt{f(\text{GHz})}$
 VSWR: 1.3 MAX.
 WORKING VOLTAGE: 375 V rms Max. @ Sea Level
 INSULATION RESISTANCE: 5k M Ohms min.
 TEMPERATURE RANGE: -65°C TO 85°C
 FOR RG-174, 188, 188A, 316/U, ALPHA 9174, 9316,
 BELDEN 8216, 83269, 83284, 84316 & TIMES LMR-100A CABLE



RECOMMENDED STRIPPING DIMENSIONS

1	SHELL	1	BRASS	NICKEL, 100μ"	008974	
2	BODY	1	BRASS	NICKEL, 100μ"		
3	INSULATOR	1	PTFE	---		
4	RETAINING RING	1	Be. Cu.	---		
5	GASKET	1	SILICONE	---		
6	CONTACT	1	Be. Cu.	GOLD, 50μ"		
7	FERRULE	1	COPPER	NICKEL, 100μ"		
8	TUBING	1	HEAT SHINK	---		
9						
10						
11						
12						
13						
14						
#	DESCRIPTION	QTY	MATERIAL	FINISH	APPROVALS	DATE

UNLESS OTHERWISE SPECIFIED:

DIMENSIONS ARE IN INCHES
 AND [MILLIMETERS]
 UNLESS OTHERWISE NOTED
 TOLERANCES ARE:

DECIMALS DIAMETER

DRAWN
C. ZUNIGA 7/19/04
 CHECKED
JDMc 7-21-04
 ORJ DRAWN
C. ZUNIGA 7/27/00

RF connectors
 DIVISION OF RF INDUSTRIES, LTD.

7610 MIRAMAR RD
 SAN DIEGO, CA 92126
 (858) 549-6340
 (858) 549-6345 FAX

SMA PLUG, CRIMP

REVERSE POLARITY

SIZE A	CABLE GROUP B	DWG NO. RP-3000-B	REV B
SCALE: NTS		CAD FILE OUTLINE	SHEET 1 OF 1