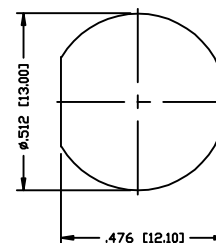
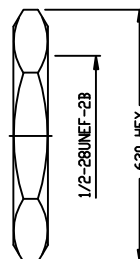
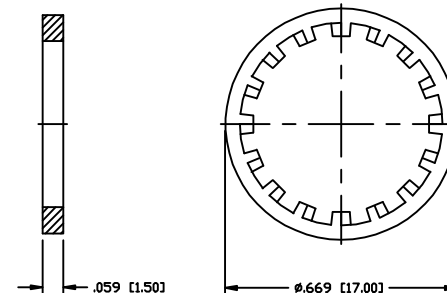
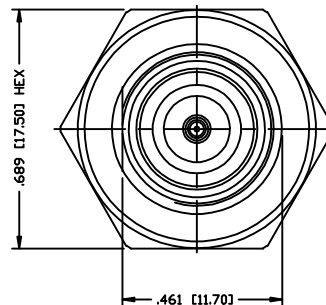
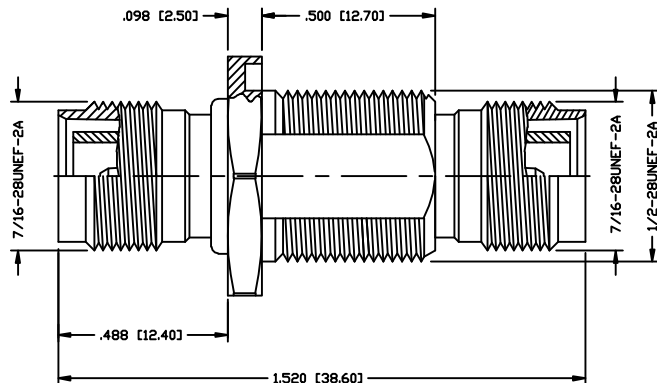


PART NO.

RP-1226-I

REV	DESCRIPTION	DWN	DATE	APPROVED
-	ENGINEERING RELEASE	CZS	05/03/16	JDMc
A	EXTENDED PANEL MOUNT SECTION	JDM	5/16/16	JDMc



RECOMMENDED MOUNTING HOLE

SPECIFICATIONS:

IMPEDANCE: 50 Ohms
 FREQUENCY RANGE: 0-7 GHz
 WORKING VOLTAGE: 500 V rms @ sea level
 INSULATION RESISTANCE: 5k M ohms min.
 TEMPERATURE RANGE: -65°C TO +165°C

10	HEX NUT	1	BRASS	NICKEL, 100 μ "
9	WASHER	1	IRON	NICKEL, 100 μ "
8	GASKET	1	RUBBER	RED
7	PRESS WASHER	1	BRASS	NICKEL, 100 μ "
6	INSULATOR	1	PTFE	---
5	INSULATOR	2	PTFE	---
4	PIN	1	BRASS	GOLD, 3 μ "
3	BODY	1	BRASS	NICKEL, 100 μ "
2	BODY	1	BRASS	NICKEL, 100 μ "
1	BODY	1	BRASS	NICKEL, 100 μ "
#	DESCRIPTION	QTY	MATERIAL	FINISH

CUSTOMER
OUTLINE DRAWINGALL DIMENSIONS
ARE REFERENCE ONLYUNLESS OTHERWISE SPECIFIED:
DIMENSIONS ARE IN INCHES
AND [MILLIMETERS]

DRAWN	JDM	05/16/16
CHECKED		
ORJ DRAWN	C. ZUNIGA	05/03/16

PROPRIETARY AND CONFIDENTIAL
 THIS DRAWING CONTAINS
 INFORMATION PROPRIETARY TO
 RF INDUSTRIES. ANY
 UNAUTHORIZED USE OF THIS
 DRAWING IS EXPRESSLY
 PROHIBITED WITHOUT WRITTEN
 PERMISSION FROM RF
 INDUSTRIES. ANY VIOLATION IS
 PUNISHABLE UNDER U.S.
 COPYRIGHT LAWS.

RFconnectors
 DIVISION OF RF INDUSTRIES, LTD.

7610 MIRAMAR RD.
 SAN DIEGO, CA 92126
 (858) 549-6340
 (858) 549-6345 FAX

TNC DOUBLE JACK
REVERSE POLARITY, BLUCKHEAD, ISOLATED

SIZE	CABLE GROUP	DWG NO.	REV
A	N/A	RP-1226-I	A
SCALE:	ENGINEERING ID:	SHEET 1 OF 1	
NTS	000000		