

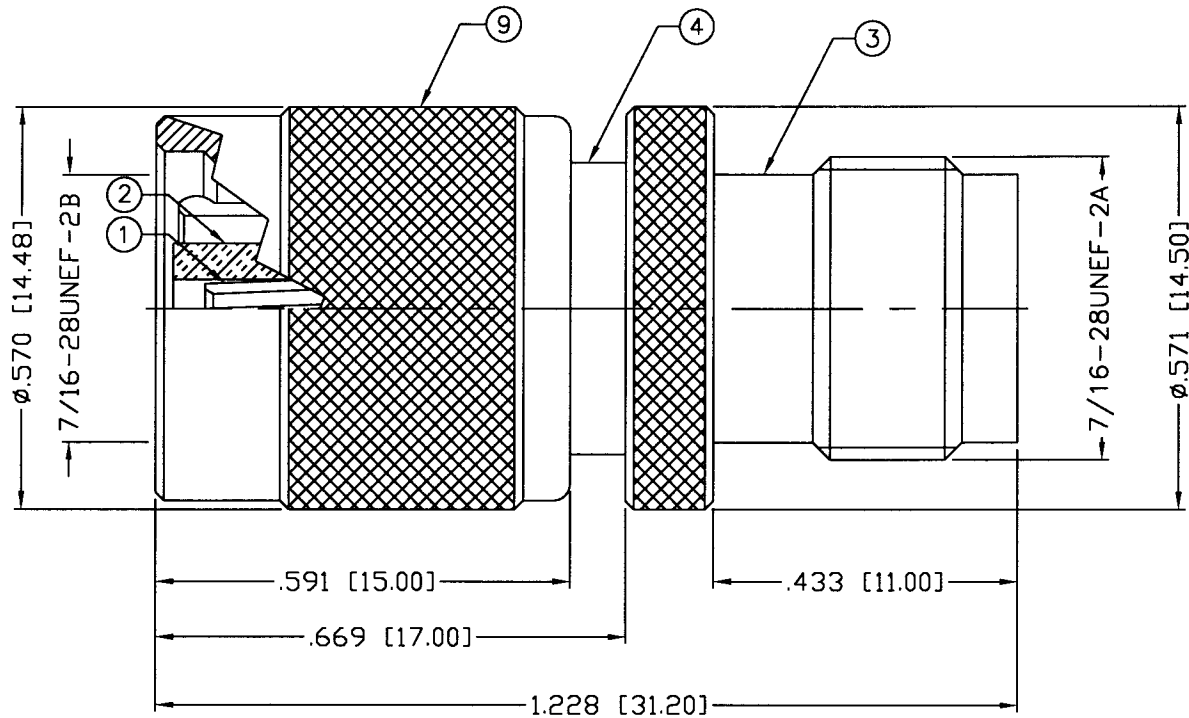
THIS DRAWING CONTAINS INFORMATION PROPRIETARY TO RF INDUSTRIES.
 ANY UNAUTHORIZED USE OF THIS DRAWING IS EXPRESSLY PROHIBITED
 WITHOUT WRITTEN PERMISSION FROM RF INDUSTRIES.
 ANY VIOLATION IS PUNISHABLE UNDER U.S. COPYRIGHT LAWS.

ALL DIMENSIONS ARE REFERENCE ONLY

PART NO.

RP-1223

REV	DESCRIPTION	DWN	DATE	APPROVED
-	ENGINEERING RELEASE	CZS	9/17/03	JDMc



SPECIFICATIONS:

IMPEDANCE: 50 Ohms
 FREQUENCY RANGE: 0-7 GHz
 WORKING VOLTAGE: 500 V rms @ sea level
 INSULATION RESISTANCE: 5k M ohms min.
 TEMPERATURE RANGE: -65°C TO +85°C

1	CONTACT	1	PHOS BRONZE	GOLD, 3μ"
2	INSULATOR	1	PTFE	----
3	PRESS BODY	1	BRASS	NICKEL, 100μ"
4	BODY	1	BRASS	NICKEL, 100μ"
5	WASHER	1	BRASS	NICKEL, 100μ"
6	RING	1	DELFIN	----
7	RETAINING RING	1	BRASS	NICKEL, 100μ"
8	GASKET	1	RUBBER	----
9	SHELL	1	BRASS	NICKEL, 100μ"
10				
11				
12				
13				
14				
#	DESCRIPTION	QTY	MATERIAL	FINISH

008974	
DRAWN	1/19/04
C. ZUNIGA	
CHECKED	1/20/04
ORJ DRAWN	
C. ZUNIGA	1/19/04
APPROVALS	DATE

UNLESS OTHERWISE SPECIFIED:

DIMENSIONS ARE IN INCHES AND [MILLIMETERS]
 UNLESS OTHERWISE NOTED TOLERANCES ARE:

DECIMALS	DIAMETER
----------	----------



7610 MIRAMAR RD
 SAN DIEGO, CA 92126
 (858) 549-6340
 (858) 549-6345 FAX

TNC JACK TO TNC REVERSE POLARITY PLUG, ADAPTOR

SIZE	CABLE GROUP	DWG NO.	REV
A	N/A	RP-1223	-
SCALE:	NTS	CAD FILE	OUTLINE
			SHEET 1 OF 1