

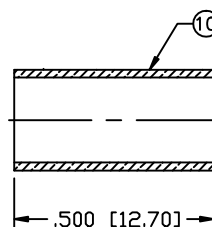
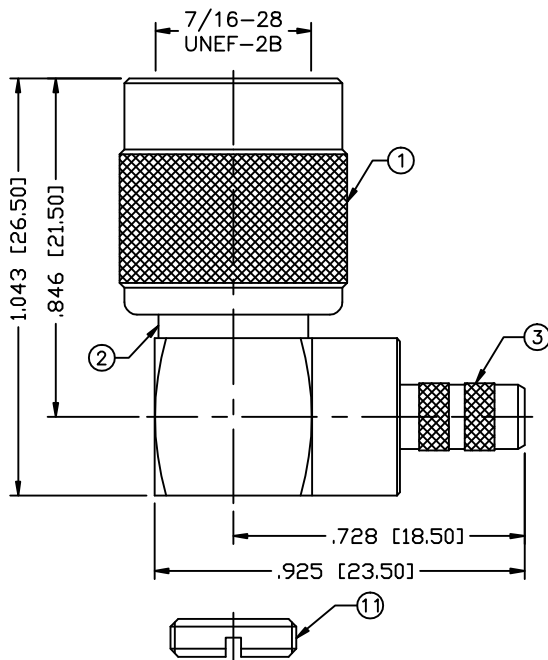
THIS DRAWING CONTAINS INFORMATION PROPRIETARY TO RF INDUSTRIES,
 ANY UNAUTHORIZED USE OF THIS DRAWING IS EXPRESSLY PROHIBITED
 WITHOUT WRITTEN PERMISSION FROM RF INDUSTRIES.
 ANY VIOLATION IS PUNISHABLE UNDER U.S. COPYRIGHT LAWS.

ALL DIMENSIONS ARE REFERENCE ONLY

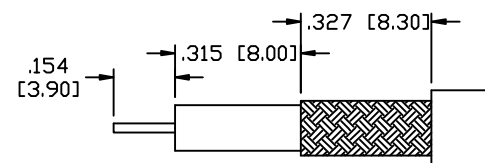
PART NO.

RP-1218-C1

| REV | DESCRIPTION | DWN | DATE | APPROVED |
|-----|---------------------|-----|----------|----------|
| - | ENGINEERING RELEASE | CZS | 12/05/11 | JDMc |
| | | | | |
| | | | | |



RECOMMENDED CRIMP DIE: .213"



RECOMMENDED STRIPPING DIMENSIONS

SPECIFICATIONS:

IMPEDANCE: 50 Ohms
 FREQUENCY RANGE: 0-7 GHz
 WORKING VOLTAGE: 500 V rms @ sea level
 INSULATION RESISTANCE: 5k M ohms min.
 TEMPERATURE RANGE: -65°C TO +85°C
 FOR RG-55, 55A, 55B, 142, 142A, 142B, 223 & 400/U,
 ALPHA 9055, 9055B, 9223, BELDEN 8219, 83242, 84142

NOTE: ATTACH CABLE TO CONNECTOR BY SOLDERING
 THE CABLE INNER CONDUCTOR TO THE
 CONTACT SLOT INSIDE THE CONNECTOR

| | | | | | | |
|----|----------------|-----|-------------|----------------|-----------|-----------------------------|
| 1 | SHELL | 1 | BRASS | NICKEL, 100 μ" | 008974 | UNLESS OTHERWISE SPECIFIED: |
| 2 | PRESS BODY | 1 | BRASS | NICKEL, 100 μ" | | |
| 3 | BODY | 1 | BRASS | NICKEL, 100 μ" | | |
| 4 | INSULATOR | 1 | PTFE | --- | | |
| 5 | CONTACT | 1 | PHOS BRONZE | GOLD, 3 μ" | | |
| 6 | GASKET | 1 | RUBBER | --- | | |
| 7 | RETAINING RING | 1 | BRASS | NICKEL, 100 μ" | | |
| 8 | RING | 1 | DELTRIN | --- | | |
| 9 | WASHER | 1 | BRASS | NICKEL, 100 μ" | | |
| 10 | FERRULE | 1 | BRASS | NICKEL, 100 μ" | | |
| 11 | SCREW CAP | 1 | BRASS | NICKEL, 100 μ" | | |
| 12 | | | | | DRAWN | 12/05/11 |
| 13 | | | | | C. ZUNIGA | |
| 14 | | | | | CHECKED | |
| | | | | | ORJ DRAWN | |
| # | DESCRIPTION | QTY | MATERIAL | FINISH | APPROVALS | DATE |

DIMENSIONS ARE IN INCHES
 AND [MILLIMETERS]
 UNLESS OTHERWISE NOTED
 TOLERANCES ARE:
 DECIMALS DIAMETER

RFconnectors
 DIVISION OF RF INDUSTRIES, LTD.

7610 MIRAMAR RD
 SAN DIEGO, CA 92126
 (858) 549-6340
 (858) 549-6345 FAX

TNC PLUG, CRIMP

REVERSE POLARITY, RIGHT ANGLE

| | | | |
|---------|-------------|------------|---------|
| SIZE | CABLE GROUP | DWG NO. | REV |
| A | C1 | RP-1218-C1 | - |
| SCALE: | NTS | CAD FILE | OUTLINE |
| SHEET 1 | | OF 1 | |