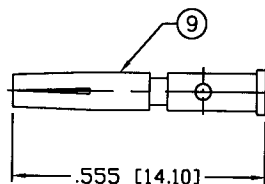
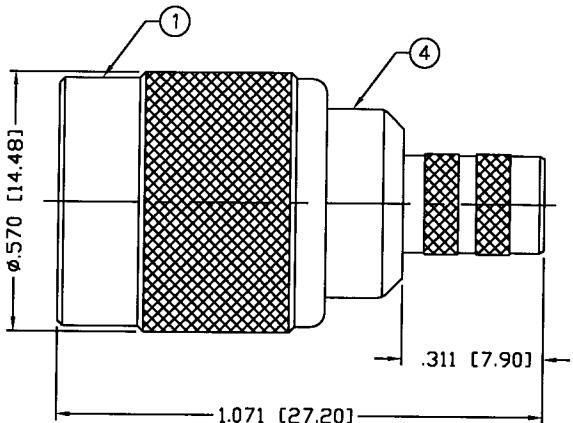


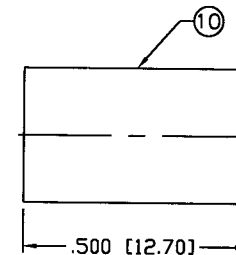
THIS DRAWING CONTAINS INFORMATION PROPRIETARY TO RF INDUSTRIES,
 ANY UNAUTHORIZED USE OF THIS DRAWING IS EXPRESSLY PROHIBITED
 WITHOUT WRITTEN PERMISSION FROM RF INDUSTRIES.
 ANY VIOLATION IS PUNISHABLE UNDER U.S. COPYRIGHT LAWS.

ALL DIMENSIONS ARE REFERENCE ONLY

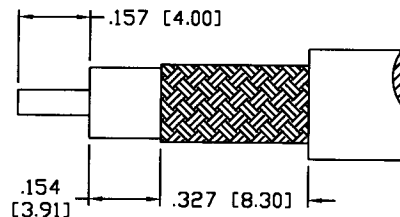
PART NO.		RP-1202-X		
REV	DESCRIPTION	DWN	DATE	APPROVED
-	ENGINEERING RELEASE	CZS	11/4/99	JDMc



RECOMMENDED CRIMP DIE: .068"



RECOMMENDED CRIMP DIE: .255"



RECOMMENDED STRIPPING DIMENSIONS

SPECIFICATIONS:

IMPEDANCE: 50 Ohms
 FREQUENCY RANGE: 0-7 GHz
 WORKING VOLTAGE: 500 Vrms
 INSULATION RESISTANCE: 5k M ohms min.
 TEMPERATURE RANGE: -65°C TO +85°C
 FOR RG-8/X, BELDEN 9258, MAXRAD MBX-100 &
 MBX-1000, MICRO 8/U, REMEE 1600, SAXTON 8315 &
 TIMES LMR-240 & LMR-240 ULTRAFLEX CABLE

1	SHELL	1	BRASS	NICKEL, 100μ"
2	BODY	1	BRASS	NICKEL, 100μ"
3	INSULATOR	1	PTFE	----
4	FERRULE STUD	1	BRASS	NICKEL, 100μ"
5	GASKET	1	RUBBER	----
6	RETAINING RING	1	BRASS	NICKEL, 100μ"
7	RING	1	DELFIN	----
8	WASHER	1	BRASS	NICKEL, 100μ"
9	CONTACT	1	PHOS BRONZE	GOLD, 3μ"
10	FERRULE	1	BRASS	NICKEL, 100μ"
11				
12				
13				
14				
#	DESCRIPTION	QTY	MATERIAL	FINISH

008974	
DRAWN	C. ZUNIGA
CHECKED	<i>[Signature]</i>
ORJ DRAWN	C. ZUNIGA
DATE	9/4/02

UNLESS OTHERWISE SPECIFIED:
 1. REMOVE ALL BURRS
 2. BREAK ALL CORNERS & EDGES .005 R. MAX.
 3. CHAMFER 1ST & LAST THREADS 45°
 4. SURFACE ROUGHNESS 63 FINISH MIL-STD-10
 5. DIAMETERS ON COMMON CENTERS TO BE CONCENTRIC WITHIN .002 T.I.R.
 6. ALL DIMENSIONS ARE AFTER PLATING.

DIMENSIONS ARE IN INCHES AND [MILLIMETERS]
 UNLESS OTHERWISE NOTED TOLERANCES ARE:
 DECIMALS DIAMETER
 .XXX±.003 [.08] .XXX±.001 [.03]
 .XX±.005 [.13] .XX±.003 [.08]

7610 MIRAMAR RD
 SAN DIEGO, CA 92126
 (858) 549-6340
 (858) 549-6345 FAX

RF connectors
 DIVISION OF RF INDUSTRIES, LTD.

TNC PLUG, CRIMP

REVERSE POLARITY

SIZE	CABLE GROUP	DWG NO.	REV
A	X	RP-1202-X	-

SCALE: NTS CAD FILE: OUTLINE SHEET 1 OF 1