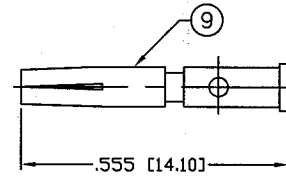
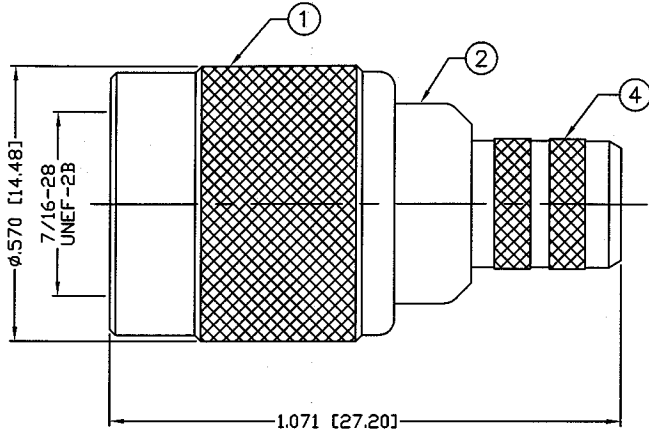


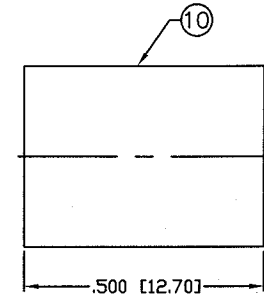
THIS DRAWING CONTAINS INFORMATION PROPRIETARY TO RF INDUSTRIES.
 ANY UNAUTHORIZED USE OF THIS DRAWING IS EXPRESSLY PROHIBITED
 WITHOUT WRITTEN PERMISSION FROM RF INDUSTRIES.
 ANY VIOLATION IS PUNISHABLE UNDER U.S. COPYRIGHT LAWS.

ALL DIMENSIONS ARE REFERENCE ONLY

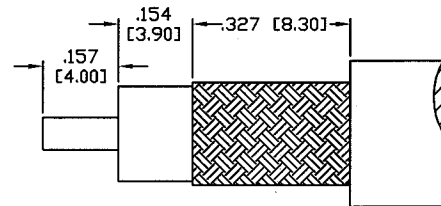
PART NO.		RP-1202-L6		
REV	DESCRIPTION	DWN	DATE	APPROVED
-	ENGINEERING RELEASE	CZS	6/11/01	JDMc



RECOMMEND SOLDERING
IF CRIMPING USE DIE: .068"



RECOMMENDED CRIMP SIZE: .324



RECOMMENDED STRIPPING DIM'S

SPECIFICATIONS:

IMPEDANCE: 50 Ohms
 FREQUENCY RANGE: 0-11 GHz
 VSWR: 1.3 Max.
 VOLTAGE RATING: 500 Volts Peak
 TEMPERATURE RANGE: -65° C. TO 165° C.
 FOR TIMES LMR-300

1	SHELL	1	BRASS	NICKEL, 100μ"	008974	
2	BODY	1	BRASS	NICKEL, 100μ"		
3	INSULATOR	1	PTFE	----		
4	FERRULE STUD	1	BRASS	NICKEL, 100μ"		
5	GASKET	1	RUBBER	----		
6	RETAINING RING	1	BRASS	NICKEL, 100μ"		
7	RING	1	DELFIN	----		
8	WASHER	1	BRASS	NICKEL, 100μ"		
9	CONTACT	1	PHOS. BRONZE	GOLD, 3μ"		
10	FERRULE	1	BRASS	NICKEL, 100μ"		
11						
12						
13						
14						
#	DESCRIPTION	QTY	MATERIAL	FINISH	APPROVALS	DATE

UNLESS OTHERWISE SPECIFIED:
 1. REMOVE ALL BURRS
 2. BREAK ALL CORNERS & EDGES .005 R. MAX.
 3. CHAMFER 1ST & LAST THREADS 45°
 4. SURFACE ROUGHNESS 63 FINISH MIL-STD-10
 5. DIAMETERS ON COMMON CENTERS TO BE CONCENTRIC WITHIN .002 T.I.R.
 6. ALL DIMENSIONS ARE AFTER PLATING.

DIMENSIONS ARE IN INCHES AND [MILLIMETERS]
 UNLESS OTHERWISE NOTED TOLERANCES ARE:
 DECIMALS DIAMETER
 .xxx±.003 [.08] .xxx±.001 [.03]
 .xx±.005 [.13] .xx±.003 [.08]

7610 MIRAMAR RD
 SAN DIEGO, CA 92126
 (858) 549-6340
 (858) 549-6345 FAX

RF connectors
 DIVISION OF RF INDUSTRIES, LTD.

TNC PLUG, CRIMP

REVERSE POLARITY (LMR-300)

SIZE	CABLE GROUP	DWG NO.	REV
A	L6	RP-1202-L6	-

SCALE: NTS CAD FILE OUTLINE SHEET 1 OF 1

DRAWN C. ZUNIGA 6/20/01
 CHECKED JDMc 8-23-01
 ORJ DRAWN C. ZUNIGA 6/20/01