

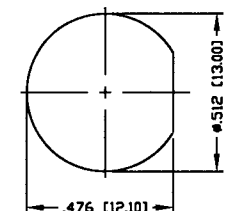
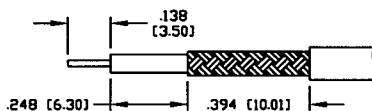
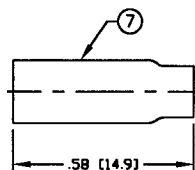
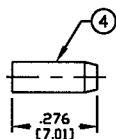
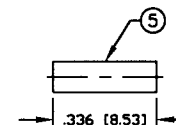
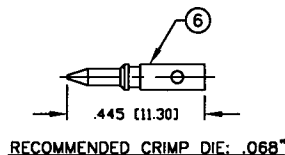
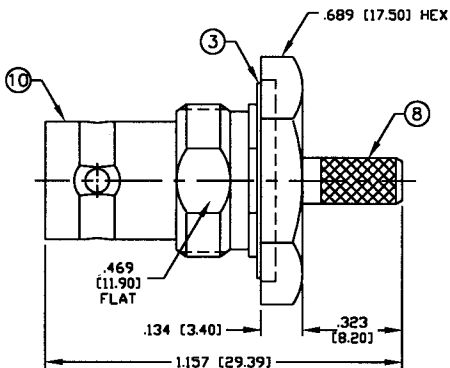
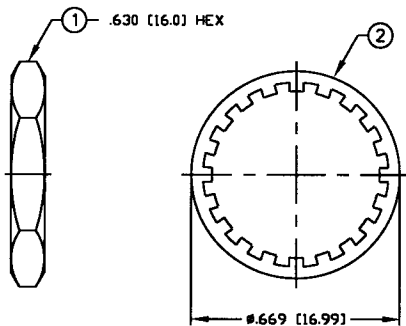
THIS DRAWING CONTAINS INFORMATION PROPRIETARY TO RF INDUSTRIES.
 ANY UNAUTHORIZED USE OF THIS DRAWING IS EXPRESSLY PROHIBITED
 WITHOUT WRITTEN PERMISSION FROM RF INDUSTRIES.
 ANY VIOLATION IS PUNISHABLE UNDER U.S. COPYRIGHT LAWS.

ALL DIMENSIONS ARE REFERENCE ONLY

PART NO.

RP-1117-BT

REV	DESCRIPTION	DWN	DATE	APPROVED
-	ENGINEERING RELEASE	CZS	5/20/02	JDMc



SPECIFICATIONS:

IMPEDANCE: 50 Ohms
 FREQUENCY RANGE: 0-4 GHz
 WORKING VOLTAGE: 500 V rms @ sea level
 TEMPERATURE RANGE: -65°C TO 85°C
 INSULATION RESISTANCE: 5k M Ohms min.
 FOR RG-174, 188, 188A, 316/U, ALPHA 9174, 9316,
 BELDEN 8216, 83269, 83284, 84316 & TIMES LMR-100A CABLE

RECOMMENDED CRIMP DIE: .178"

RECOMMENDED STRIPPING DIMENSIONS

RECOMMENDED MOUNTING HOLE

#	DESCRIPTION	QTY	MATERIAL	FINISH	APPROVALS	DATE
1	HEX NUT	1	BRASS	NICKEL, 70μ"		
2	WASHER	1	IRON	NICKEL, 70μ"		
3	GASKET	1	SILICONE	---		
4	BUSHING	1	BRASS	NICKEL, 70μ"		
5	SLEEVE	1	PTFE	---		
6	PIN	1	BRASS	GOLD, 3μ"		
7	FERRULE	1	BRASS	NICKEL, 70μ"		
8	FERRULE STUD	1	BRASS	NICKEL, 70μ"		
9	INSULATOR	1	PTFE	---		
10	BODY	1	BRASS	NICKEL, 70μ"		
11						
12						
13						
14						

007777	
DRAWN C. ZUNIGA	5/20/02
CHECKED <i>JDMc</i>	5-20-02
ORJ DRAWN C. ZUNIGA	5/20/02

UNLESS OTHERWISE SPECIFIED:
 1. REMOVE ALL BURRS
 2. BREAK ALL CORNERS & EDGES .005 R. MAX.
 3. CHAMFER 1ST & LAST THREADS 45°
 4. SURFACE ROUGHNESS 63 FINISH MIL-STD-10
 5. DIAMETERS ON COMMON CENTERS TO BE CONCENTRIC WITHIN .002 T.I.R.
 6. ALL DIMENSIONS ARE AFTER PLATING.

DIMENSIONS ARE IN INCHES AND [MILLIMETERS]
 UNLESS OTHERWISE NOTED TOLERANCES ARE:
 DECIMALS .xxx±.003 [.08]
 DIAMETER .xxx±.001 [.03]
 .xx±.005 [.13] .xx±.003 [.08]

RFconnectors
 DIVISION OF RF INDUSTRIES, LTD.

7610 MIRAMAR RD
 SAN DIEGO, CA 92126
 (858) 549-6340
 (858) 549-6345 FAX

BNC JACK, CRIMP

REVERSE POLARITY, BULKHEAD

SIZE A	CABLE GROUP B	DWG NO. RP-1117-BT	REV -
SCALE: NTS		CAD FILE OUTLINE	SHEET 1 OF 1