

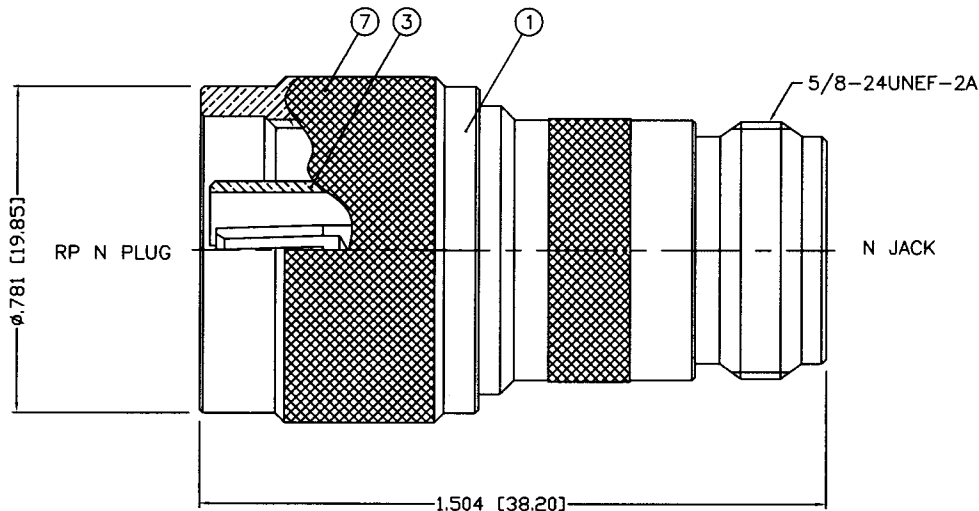
THIS DRAWING CONTAINS INFORMATION PROPRIETARY TO RF INDUSTRIES,
 ANY UNAUTHORIZED USE OF THIS DRAWING IS EXPRESSLY PROHIBITED
 WITHOUT WRITTEN PERMISSION FROM RF INDUSTRIES.
 ANY VIOLATION IS PUNISHABLE UNDER U.S. COPYRIGHT LAWS.

ALL DIMENSIONS ARE REFERENCE ONLY

PART NO.

RP-1016

REV	DESCRIPTION	DWN	DATE	APPROVED
-	ENGINEERING RELEASE	JDMc	11/12/03	JDMc



SPECIFICATIONS:

IMPEDANCE: 50 Ohms
 INTERFACE: Per MIL-STD-348
 FREQUENCY RANGE: 0-11 GHz
 VSWR: 1.15:1 Max to 6 GHz
 INSERTION LOSS: $-0.03 \text{ dB} \times \sqrt{F}$ (F=GHz) MAX
 WORKING VOLTAGE: 1K VRMS @ sea level
 TEMPERATURE RANGE: -65°C TO 85°C
 INSULATION RESISTANCE: 5k M Ohms min.

1	BODY	1	BRASS	NICKEL, 100 μ "
2	INSULATOR	1	PTFE	WHITE
3	GROUND RING	1	BRASS	NICKEL, 100 μ "
4	CONTACT	1	PHOS B	GOLD, 3 μ " MIN
5	R-RING	1	SST-304	NONE
6	GASKET	1	SILICONE	RED
7	SHELL	1	BRASS	NICKEL, 100
8				
9				
10				
11				
12				
13				
14				
#	DESCRIPTION	QTY	MATRL	FINISH

008974	
DRAWN	11/13/03
JDM	
CHECKED	11/13/03
ORJ DRAWN	11/13/03
JDM	
APPROVALS	DATE

UNLESS OTHERWISE SPECIFIED:

- REMOVE ALL BURRS
- BREAK ALL CORNERS & EDGES .005 R. MAX.
- CHAMFER 1ST & LAST THREADS 45°
- SURFACE ROUGHNESS 63 FINISH MIL-STD-10
- DIAMETERS ON COMMON CENTERS TO BE CONCENTRIC WITHIN .002 T.I.R.
- ALL DIMENSIONS ARE AFTER PLATING.

DIMENSIONS ARE IN INCHES AND [MILLIMETERS]
 UNLESS OTHERWISE NOTED TOLERANCES ARE:

DECIMALS	DIAMETER
.XXX±.003 [.08]	.XXX±.001 [.03]
.XX±.005 [.13]	.XX±.003 [.08]

RF

connectors

DIVISION OF RF INDUSTRIES, LTD.

7610 MIRAMAR RD
 SAN DIEGO, CA 92126
 (858) 549-6340
 (858) 549-6345 FAX

RP N PLUG TO N JACK

ADAPTER

SIZE	CABLE GROUP	DWG NO.	REV
A	N/A	RP-1016	-

SCALE: NTS CAD FILE OUTLINE SHEET 1 OF 1