

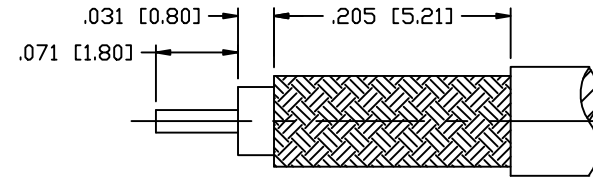
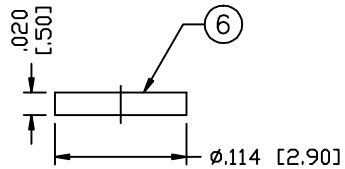
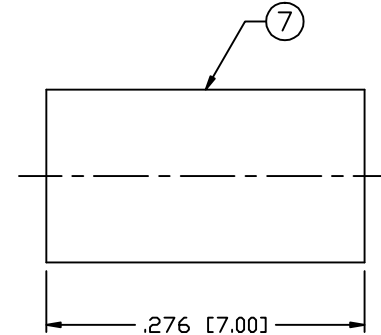
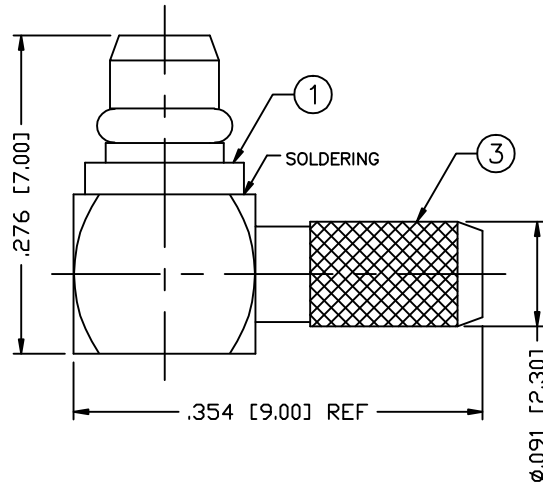
THIS DRAWING CONTAINS INFORMATION PROPRIETARY TO RF INDUSTRIES,
 ANY UNAUTHORIZED USE OF THIS DRAWING IS EXPRESSLY PROHIBITED
 WITHOUT WRITTEN PERMISSION FROM RF INDUSTRIES.
 ANY VIOLATION IS PUNISHABLE UNDER U.S. COPYRIGHT LAWS.

ALL DIMENSIONS ARE REFERENCE ONLY

PART NO.

RMX-9010-1B1

REV	DESCRIPTION	DWN	DATE	APPROVED
-	ENGINEERING RELEASE	JDM	4/1/99	R. RICE
A	CHANGED CABLE DESCRIPTION BLOCK	JDM	4/23/15	JDM



RECOMMENDED
STRIPPING DIMENSIONS

HEX CRIMP SIZE: .130

SPECIFICATIONS:

IMPEDANCE: 50 OHMS
 FREQUENCY RANGE: 0-6 GHz
 VOLTAGE RATING: 170V rms. AT SEA LEVEL
 DIELECTRIC WITHSTANDING VOLTAGE: 500 VOLTS rms MAX
 INSERTION LOSS: 0.3 dB MAX @ 1GHz

RG-316 DOUBLE BRAID

1	BODY	1	BRASS	GOLD, 3 MICRO	008974	
2	INSULATOR	1	PTFE	---		
3	FERRULE STUD	1	BRASS	GOLD, 3 MICRO		
4	CONTACT	1	BRASS	GOLD, 30 MICRO		
5	RETAINING RING	1	Be. Cu.	GOLD, 3 MICRO		
6	END CAP	1	BRASS	GOLD, 3 MICRO		
7	FERRULE	1	COPPER	GOLD, 3 MICRO		
8						
9						
10					DRAWN JDMc 8/28/10	
11					CHECKED	
12						
13					ORJ DRAWN C. ZUNIGA 4/1/99	
14						
#	DESCRIPTION	QTY	MATRL	FINISH	APPROVALS	DATE

UNLESS OTHERWISE SPECIFIED:

1. REMOVE ALL BURRS
2. BREAK ALL CORNERS & EDGES .005 R. MAX.
3. CHAMFER 1ST & LAST THREADS 45°
4. SURFACE ROUGHNESS 63 FINISH MIL-STD-10
5. DIAMETERS ON COMMON CENTERS TO BE CONCENTRIC WITHIN .002 T.I.R.
6. ALL DIMENSIONS ARE AFTER PLATING.

DIMENSIONS ARE IN INCHES
AND [MILLIMETERS]

UNLESS OTHERWISE NOTED
TOLERANCES ARE:

DECIMALS	DIAMETER
.XXX±.003 [.08]	.XXX±.001 [.03]
.XX±.005 [.13]	.XX±.003 [.08]

RFconnectors
DIVISION OF RF INDUSTRIES, LTD.

7610 MIRAMAR RD
 SAN DIEGO, CA 92126
 (858) 549-6340
 (858) 549-6345 FAX

MMCX PLUG

RIGHT ANGLE CRIMP

SIZE	CABLE GROUP	DWG NO.	REV
A	B1	RMX-9010-1B1	-
SCALE: NTS		CAD FILE OUTLINE	SHEET 1 OF 1