

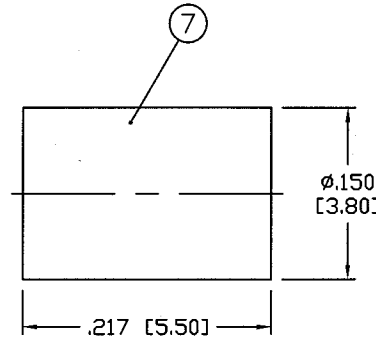
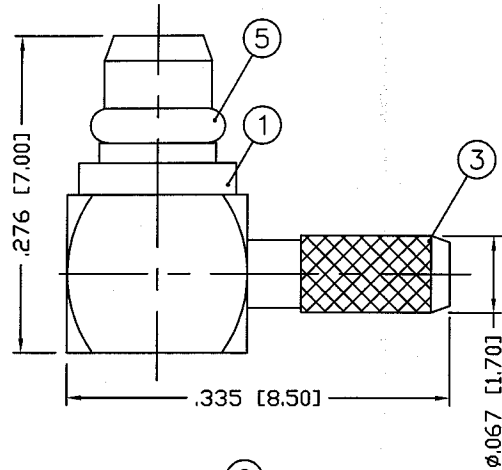
THIS DRAWING CONTAINS INFORMATION PROPRIETARY TO RF INDUSTRIES.
 ANY UNAUTHORIZED USE OF THIS DRAWING IS EXPRESSLY PROHIBITED
 WITHOUT WRITTEN PERMISSION FROM RF INDUSTRIES.
 ANY VIOLATION IS PUNISHABLE UNDER U.S. COPYRIGHT LAWS.

ALL DIMENSIONS ARE REFERENCE ONLY

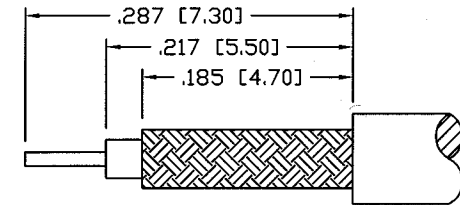
PART NO.

RMX-9010-1A

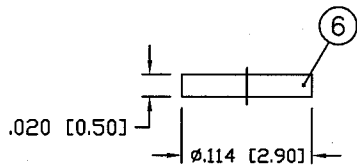
REV	DESCRIPTION	DWN	DATE	APPROVED
A	ENGINEERING RELEASE	CZS	8/25/99	JDMc
B	UPDATE DRAWING	CZS	2/4/00	JDMc
C	CHANGE DRWING # FROM 9237B	CZS	8/2/00	JDMc
D	ADDED SPECS	JDM	9/11/01	JDMc



HEX CRIMP SIZE .130"



RECOMMENDED
CABLE STRIPPING DIMENSIONS



SPECIFICATIONS:

IMPEDANCE: 50 OHMS
 FREQUENCY RANGE: 0 TO 6 GHz
 ENGAGEMENT FORCE: 8 lbs. MAX.
 DISENGAGEMENT FORCE: 1.4 lbs. MIN.
 INSULATION RESISTANCE: 1K M Ohms
 WORKING VOLTAGE: 170 Vrms AT SEA LEVEL
 FOR RG-178, 178A, 178B, 196, 196A/U

1	BODY	1	BRASS	GOLD, 3 MICRO	008974	
2	INSULATOR	1	PTFE	---		
3	FERRULE STUD	1	BRASS	GOLD, 3 MICRO		
4	CONTACT	1	BRASS	GOLD, 30 MICRO		
5	RETAINING RING	1	Be. Cu.	GOLD, 3 MICRO		
6	END CAP	1	BRASS	GOLD, 3 MICRO		
7	FERRULE	1	COPPER	GOLD, 3 MICRO		
8						
9						
10					DRAWN JDMc 9/13/01	
11					CHECKED JDMc 9-13-01	
12					ORJ DRAWN C. ZUNIGA 8/25/99	
13						
14						
#	DESCRIPTION	QTY	MATRL	FINISH	APPROVALS	DATE

UNLESS OTHERWISE SPECIFIED:
 1. REMOVE ALL BURRS
 2. BREAK ALL CORNERS & EDGES .005 R. MAX.
 3. CHAMFER 1ST & LAST THREADS 45°
 4. SURFACE ROUGHNESS 63 FINISH MIL-STD-10
 5. DIAMETERS ON COMMON CENTERS TO BE CONCENTRIC WITHIN .002 T.I.R.
 6. ALL DIMENSIONS ARE AFTER PLATING.

DIMENSIONS ARE IN INCHES AND [MILLIMETERS]
 UNLESS OTHERWISE NOTED TOLERANCES ARE:
 DECIMALS .XXX±.003 [.08]
 .XX±.005 [.13]
 DIAMETER .XXX±.001 [.03]
 .XX±.003 [.08]

RFconnectors
 DIVISION OF RF INDUSTRIES, LTD.

7610 MIRAMAR RD
 SAN DIEGO, CA 92126
 (858) 549-6340
 (858) 549-6345 FAX

MMCX CRIMP PLUG

RIGHT ANGLE

SIZE	CABLE GROUP	DWG NO.	REV
A	A	RMX-9010-1A	D
SCALE:	NTS	CAD FILE	OUTLINE
		SHEET 1 OF 1	