

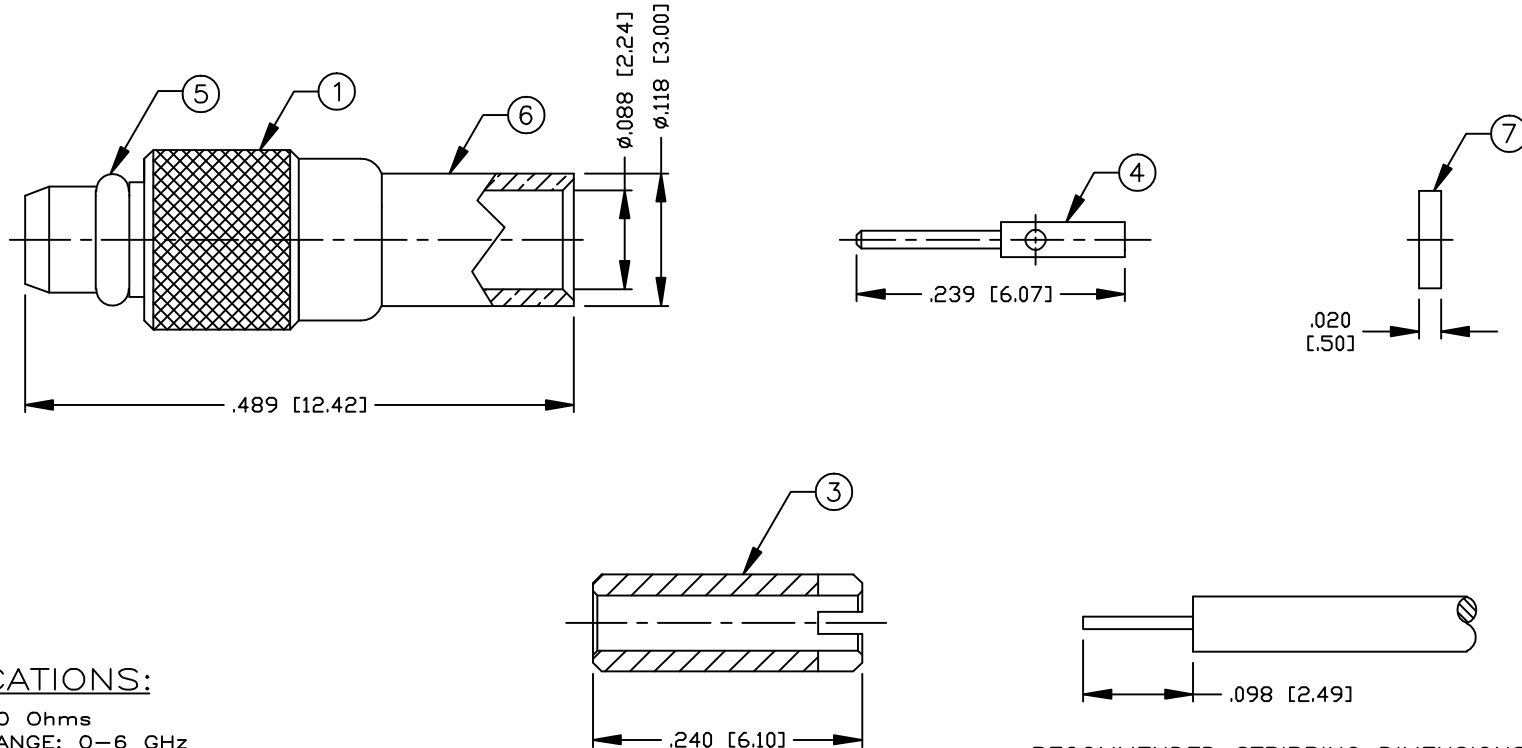
THIS DRAWING CONTAINS INFORMATION PROPRIETARY TO RF INDUSTRIES,  
 ANY UNAUTHORIZED USE OF THIS DRAWING IS EXPRESSLY PROHIBITED  
 WITHOUT WRITTEN PERMISSION FROM RF INDUSTRIES.  
 ANY VIOLATION IS PUNISHABLE UNDER U.S. COPYRIGHT LAWS.

PART NO.

**RMX-9000-1SR0**

REV	DESCRIPTION	DWN	DATE	APPROVED
-	ENGINEERING RELEASE	CZS	5/25/00	JDMc

ALL DIMENSIONS ARE REFERENCE ONLY



RECOMMENDED STRIPPING DIMENSIONS

**SPECIFICATIONS:**

IMPEDANCE: 50 Ohms  
 FREQUENCY RANGE: 0-6 GHz  
 WORKING VOLTAGE: 170 V rms @ sea level  
 TEMPERATURE RANGE: -65°C TO 165°C  
 INSULATION RESISTANCE: 1k M Ohms min.  
 FOR .047 SEMI RIGID, M17/151

1	BODY	1	BRASS	GOLD, 3μ"
2	INSULATOR	1	PTFE	----
3	SOLDER INSERT	1	BRASS	GOLD, 3μ"
4	PIN	1	BRASS	GOLD, 3μ"
5	RETAINING RING	1	Be. Cu.	GOLD, 3μ"
6	FERRULE	1	COPPER	GOLD, 3μ"
7	INSULATOR	1	PTFE	----
8				
9				
10				
11				
12				
13				
14				

000641	
DRAWN	
C. ZUNIGA	11/21/06
CHECKED	
ORJ DRAWN	
C. ZUNIGA	11/21/06
APPROVALS	DATE

UNLESS OTHERWISE SPECIFIED:  
 1. REMOVE ALL BURRS  
 2. BREAK ALL CORNERS & EDGES .005 R. MAX.  
 3. CHAMFER 1ST & LAST THREADS 45°  
 4. SURFACE ROUGHNESS 63 FINISH MIL-STD-10  
 5. DIAMETERS ON COMMON CENTERS TO BE CONCENTRIC WITHIN .002 T.I.R.  
 6. ALL DIMENSIONS ARE AFTER PLATING.

DIMENSIONS ARE IN INCHES AND [MILLIMETERS]  
 UNLESS OTHERWISE NOTED TOLERANCES ARE:

DECIMALS	DIAMETER
.XXX±.003 [.08]	.XXX±.001 [.03]
.XX±.005 [.13]	.XX±.003 [.08]

**RFconnectors**  
 DIVISION OF RF INDUSTRIES, LTD.

7610 MIRAMAR RD  
 SAN DIEGO, CA 92126  
 (858) 549-6340  
 (858) 549-6345 FAX

**MMCX PLUG  
 DIRECT SOLDER**

SIZE	CABLE GROUP	DWG NO.	REV
A	SRO	RMX-9000-1SR0	-
SCALE:	NTS	CAD FILE OUTLINE	SHEET 1 OF 1